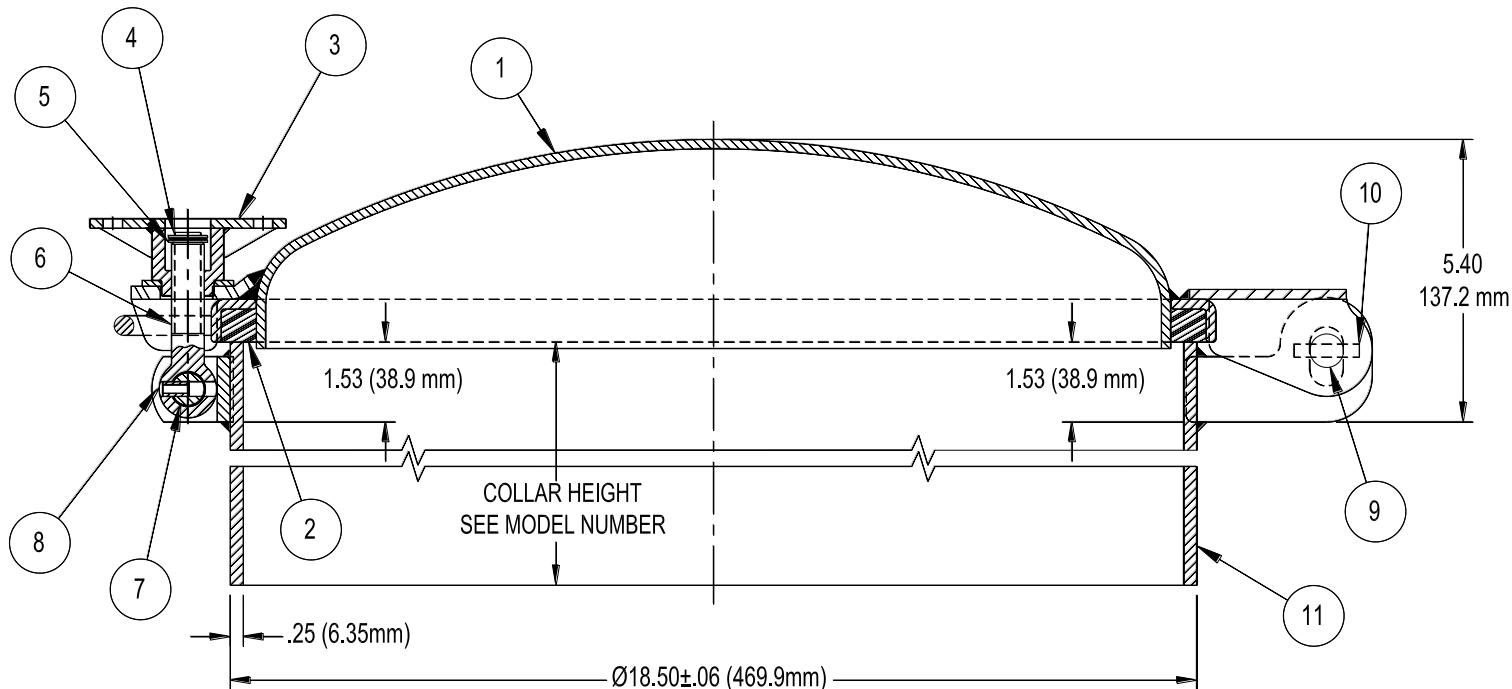


PARTS LIST

18" (457.2mm) FULL OPENING MANHOLE
ASME TYPE



No.	Description	Material	Part No.
1	Cover Assembly	Steel	6709FB
		316L Stainless	6709LC
2	Gasket – Manhole	B Buna-N	4171BN
		V Viton	4171VT
		W White Hypalon	4171WH
		E White Non-Asbestos with Teflon Suspensoid (Woven)	4171NT
3	Wing Nut	304 Stainless	3576SL
4	Snap Ring	304 Stainless	9Q4933
5	Snap Ring Washer	304 Stainless	3575SL
6	Swing Bolt	304 Stainless	4102SF
7	Swing Bolt Pin	304 Stainless	3086SL
8	Roll Pin – Swing Bolt	304 Stainless	9Q8593
9	Hinge Pin	304 Stainless	3818SL
10	Roll Pin – Hinge Pin	304 Stainless	9Q8594

Gasket Maximum Temperature

Buna-N (Nitrile)	250°F
Viton	400°F
White Hypalon	250°F
White Non-Asbestos with Teflon Suspensoid	500°F
Teflon-Silicone	400°F

GASKETS:

Check the condition of all gaskets and replace if their effectiveness as a seal is impaired in any way. Replacement gaskets must be compatible with products carried.

MAINTENANCE:

Manhole assembly should be inspected with sufficient frequency and with due regard to the products carried to insure a liquid tight closure. Any worn, damaged, or missing parts must be replaced.

WING NUTS AND SWING BOLTS:

All swing bolt and wing nut assemblies must be secured to the cover and tightened to insure the pressure and product retention performance of the manhole assembly.