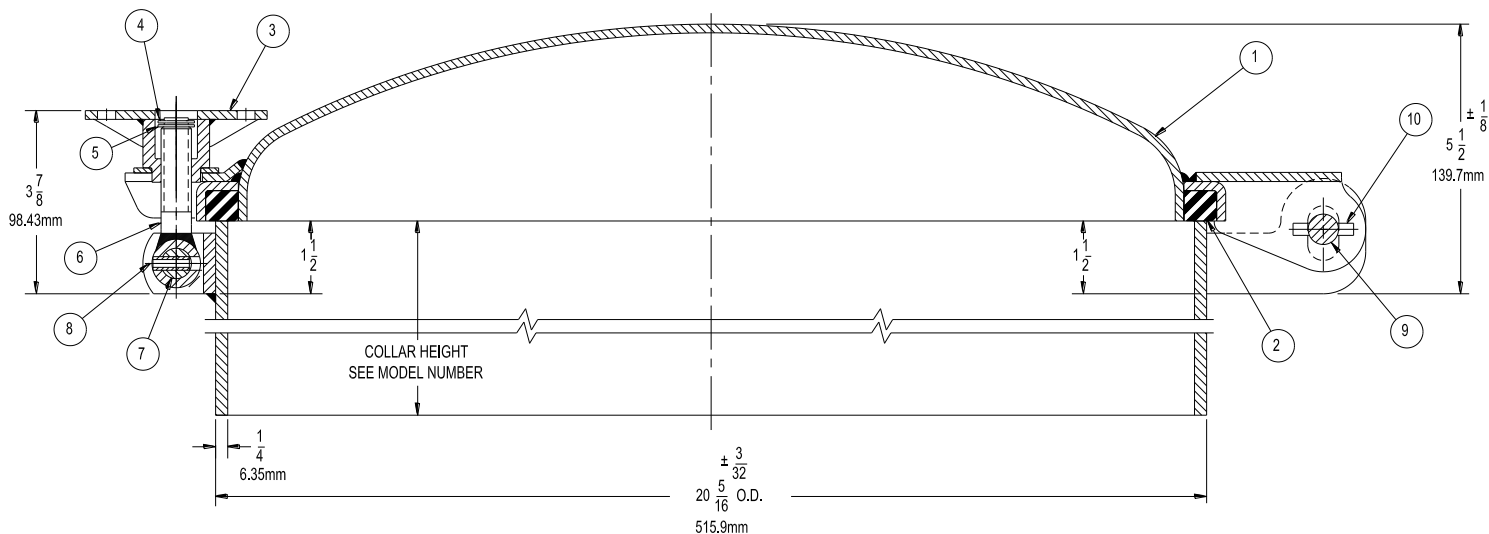


PARTS LIST

20" (508mm) FULL OPENING MANHOLE



No.	Description	Material	Part No.
1	Cover	Steel	6348FB
		Stnls 316L	6348LC
2	Gasket*	B Buna-N	3513BN
		V Viton	3513VT
		W White Hypalon	3513WH
		E White Non-Asbestos with Teflon Suspensoid (Woven)	3513NT

No.	Description	Material	Part No.
3	Wing Nut	Stnls 304	3576SL
4	Snap Ring	Stnls 304	9Q4933
5	Snap Ring Washer	Stnls 304	3575SL
6	Swing Bolt	Stnls 304	3765SL
7	Swing Bolt Pin	Stnls 304	3086SL
8	Roll Pin-Swg Bolt	Stnls 304	9Q8593
9	Hinge Pin	Stnls 304	3818SL
10	Roll Pin-Hinge Pin	Stnls 304	9Q8594

\*Gasket Maximum Temperature

- Buna-N (Nitrile) \_\_\_\_\_ 250°F
- Viton \_\_\_\_\_ 400°F
- White Hypalon \_\_\_\_\_ 250°F
- White Non-Asbestos \_\_\_\_\_ 500°F

with Teflon Suspensoid

GASKETS:

Check the condition of all gaskets and replace if their effectiveness as a seal is impaired in any way. Replacement gaskets must be compatible with products carried.

MAINTENANCE:

Manhole assembly should be inspected with sufficient frequency and with due regard to the products carried to insure a liquid tight closure. Any worn, damaged, or missing parts must be replaced.

WING NUTS AND SWING BOLTS:

All swing bolt and wing nut assemblies must be secured to the cover and tightened to insure the pressure and product retention performance of the manhole assembly.

**WARNING** Use only genuine Betts Industries Inc. replacement parts. Use of substitute parts can impair the proper functioning of this product.