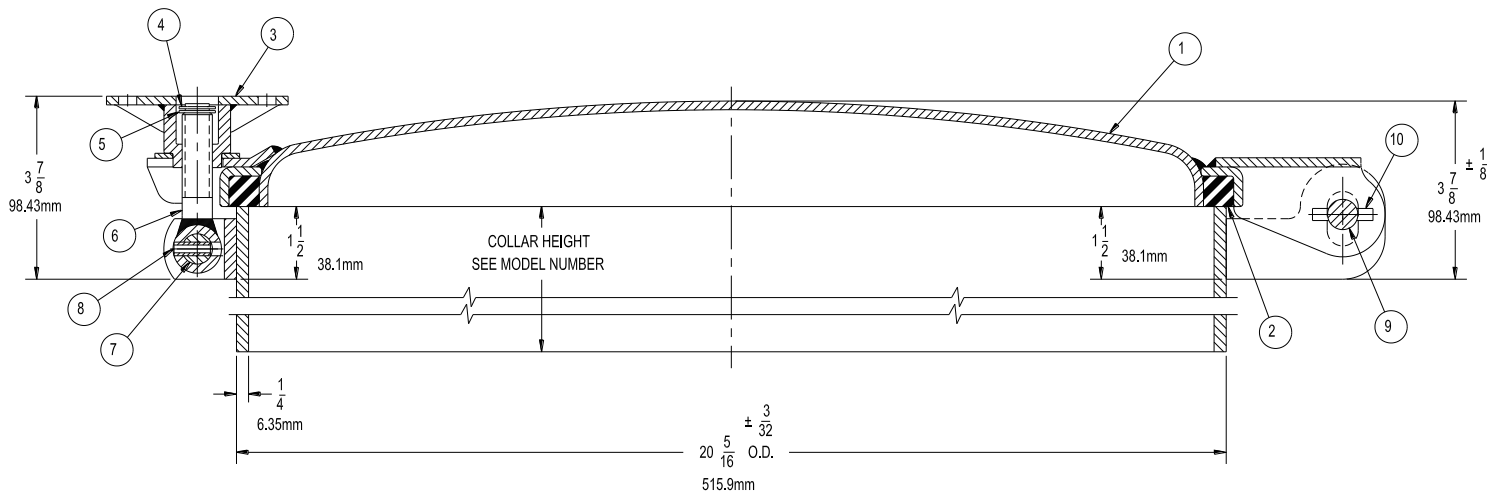


PARTS LIST

20" (508mm) FULL OPENING MANHOLE



No.	Description	Material	Part No.
1	Cover	Steel	6381MS
		Stnls 316L	6381LC
2	Gasket*	B Buna-N	3513BN
		V Viton	3513VT
		W White Hypalon	3513WH
		E White Non-Asbestos with Teflon Suspensoid (Woven)	3513NT

No.	Description	Material	Part No.
3	Wing Nut	Stnls 304	3576SL
4	Snap Ring	Stnls 304	9Q4933
5	Snap Ring Washer	Stnls 304	3575SL
6	Swing Bolt	Stnls 304	3765SL
7	Swing Bolt Pin	Stnls 304	3086SL
8	Roll Pin-Swg Bolt	Stnls 304	9Q8593
9	Hinge Pin	Stnls 304	3818SL
10	Roll Pin-Hinge Pin	Stnls 304	9Q8594

*Gasket Maximum Temperature

- Buna-N (Nitrile) _____ 250°F
- Viton _____ 400°F
- White Hypalon _____ 250°F
- White Non-Asbestos _____ 500°F
- with Teflon Suspensoid

GASKETS:

Check the condition of all gaskets and replace if their effectiveness as a seal is impaired in any way. Replacement gaskets must be compatible with products carried.

MAINTENANCE:

Manhole assembly should be inspected with sufficient frequency and with due regard to the products carried to insure a liquid tight closure. Any worn, damaged, or missing parts must be replaced.

WING NUTS AND SWING BOLTS:

All swing bolt and wing nut assemblies must be secured to the cover and tightened to insure the pressure and product retention performance of the manhole assembly.

WARNING Use only genuine Betts Industries Inc. replacement parts. Use of substitute parts can impair the proper functioning of this product.