

16" Manhole PAF450

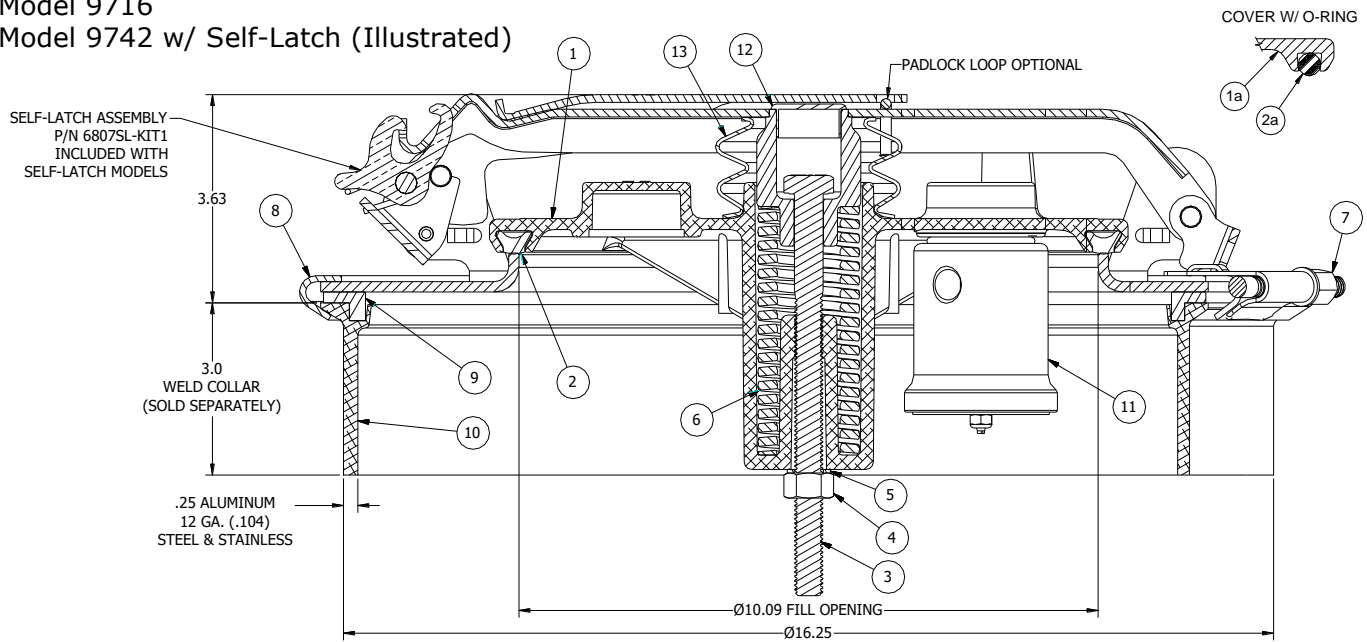
CLAMP RING STYLE with PRV

Page 2 of 2

PARTS LIST

Model 9716

Model 9742 w/ Self-Latch (Illustrated)



No.	Description	Material	Part No.
1	Cover-Relief Valve	Aluminum	8241AL
1a	Cover (O-Ring Grvd)	Aluminum	8246AL
2	Gasket-Relief Valve	Nitrile	3119BN
		FKM-A	3119VT
		Wh. Hypalon	3119WH
2a	O-Ring	Tef-Sil	3902TS
3	Bolt	Stnls 304	3876SL
4	Hex Nut 1/2 -13 Thd.	Steel Zinc Plt.	9Q5812
		Stnls 304	9Q5853
5	Washer	Stnls 304	3575SL
6	Spring	E-coat Steel	3859EY
7	Clamp Ring Bolt kit	Steel Zinc Plt. w/ Brass Nut	4121ZC001
		Stnls 304	4121SL001
		Stnls 304 w/ Brass Nut	4121SL001/421

No.	Description	Material	Part No.
8	Clamp Ring	Steel Zinc Plt.	3028ZC
		Stnls 304	3028SL
9	Manhole Gasket	B Nitrile	3559BN
		V FKM-A	3559VT
		W Wh. Hypalon	3559WH
		T PTFE Env.	3025TF
10	Manhole Collar Channel Type (Sold Separately)	Steel	3057MS
		Aluminum	3057AE
		Stnls 304	3057SL
		Stnls 316	3057SS
11	Normal Vent	Alum/Buna-N	6238ALB
		Alum/FKM	6238ALV
12	Plastic Cap	Polyethylene	9Z6163
13	Bellows	EPDM	4020EPDM

MAINTENANCE: Manhole assemblies should be inspected with sufficient frequency and due regard to the products carried to insure a liquid tight closure. Any worn, damaged or missing parts must be replaced. Gaskets should be replaced if their effectiveness is impaired in any way. Replacement gaskets must be compatible with products carried.

WARNING: Use only genuine Betts replacement parts. Use of substitute parts can impair the proper functioning of this product and void all warranties.

Letter	Gasket Material	Gasket Temp. Range *
B	Nitrile	-40°F to +250° F [-40°C to 121°C]
V	FKM-A	-20°F to +400° F [-29°C to 204°C]
W	White Hypalon	-20°F to +250° F [-29°C to 121°C]
T	PTFE Envelope w/ Nitrile Insert	-40°F to +250° F [-40°C to 121°C]

* Values are test values and actual results may vary due to service conditions.



Designed, engineered and manufactured in the USA.