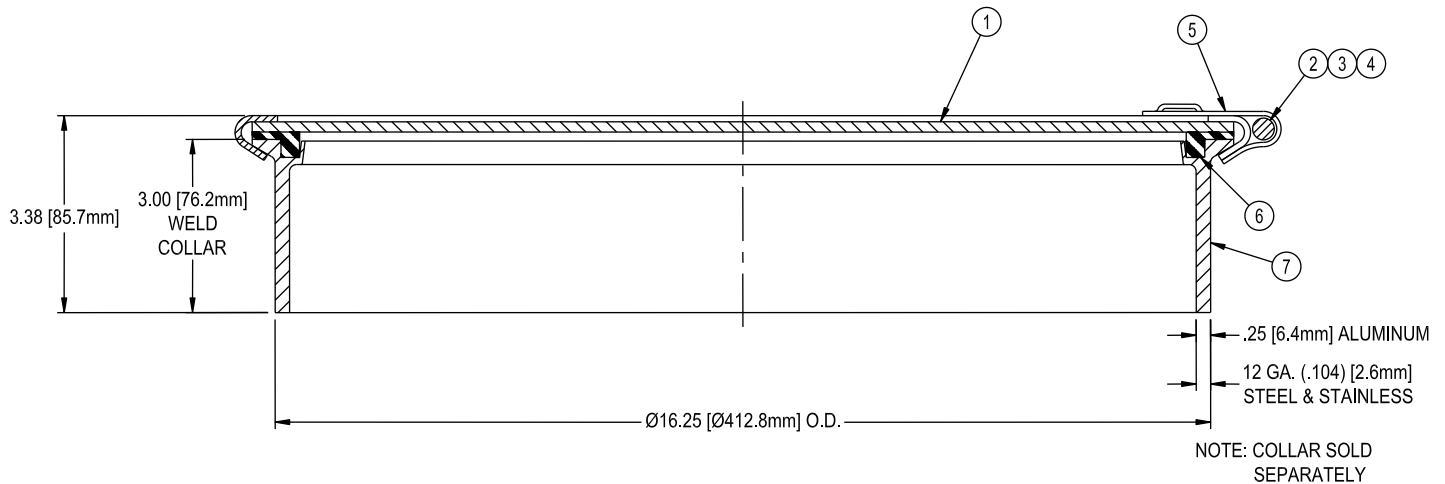


Parts List

16" Inspection Manhole



NO.	REQ.	DESCRIPTION	MATERIAL	PART NO.	
1	1	Cover Plate	B	Steel Zinc Plated	3026ZC
			C	304 Stainless Steel	3026SL
			D	316 Stainless Steel	3026SS
2	1	Bolt – Clamp Ring ($\frac{3}{8}$ – 16 Thd.) *	Steel Zinc Plated	3029ZC	
			304 Stainless Steel	3029SL	
3	1	Nut – Clamp Ring ($\frac{3}{8}$ – 16 Thd.) *	Brass	3030BR	
			304 Stainless Steel	9Q5809	
4	1	Washer – Clamp Ring *	Steel Zinc Plated	3031ZC	
			304 Stainless Steel	3031SL	
5	1	Clamp Ring	Steel Zinc Plated	3028ZC	
			304 Stainless Steel	3028SL	
6	1	Manhole Gasket (Channel Style)	B	Nitrile (Buna-N)	3559BN
			V	FKM (Viton®)	3559VT
			P	EPDM (White)	3559WE
			W	White Hypalon	3559WH
		Manhole Gasket (Flat Style)	T	PTFE Envelope w/ W. Hypalon Insert	3025TF
7	1	Manhole Collar (Sold Separately)	Steel	3057MS	
			$\frac{1}{4}$ " Aluminum	3057AE	
			304 Stainless Steel	3057SL	
			316 Stainless Steel	3057SS	

* Use part # 4121ZC001 for kit with Nut (3), Bolt (2), and Washer (4).

MAINTENANCE: Manhole assemblies should be inspected with sufficient frequency and due regard to the products carried to insure a liquid tight closure. Any worn, damaged or missing parts must be replaced. Gaskets should be replaced if their effectiveness is impaired in any way. Replacement gaskets must be compatible with products carried.

WARNING: Use only genuine BETTS INDUSTRIES INC. replacement parts. Substitute parts can impair the proper function of this product.