

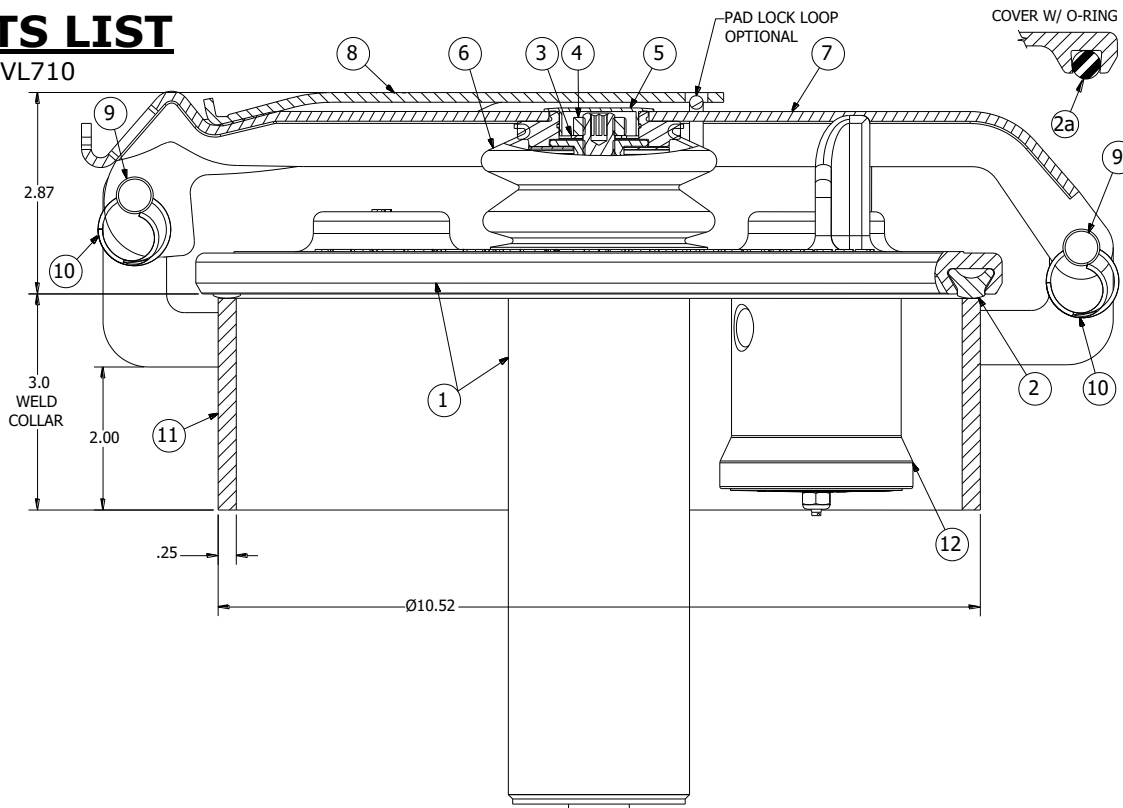
10" Fill PAF 406-98 Surge

10" WELD COLLAR with PRV

Page 2 of 2

PARTS LIST

Model PPVL710



No.	Description	Material	Part No.
1	406-98 PRV Assembly (Includes #2 or #2a gasket) (use suffix "167" for assembly w/ provision for two vents)	Alum. w/ Nitrile	7509ALBN
		Alum. w/ FKM-A	7509ALVT
		Alum. w/ EPDM	7509ALEP
		Alum. w/ Wht. Hyp.	7509ALWH
		Alum. w/ Tef-Sil	7509ALTS
2	Dovetail Gasket for PRV	Nitrile (Buna-N)	3119BN
		FKM-A	3119VT
3	Lockwasher 7/16"	Steel Zc. Plated	9Q5961
		Stainless	9Q5933
4	Jam Nut 7/16-20	Steel Zc. Plated	9Q5960
		Stainless	9Q5040
5	Push-in Plug (yellow)	Polyethylene	9Z6163
6	Bellows	EPDM	4020EPDM

No.	Description	Material	Part No.
7	Strongback	Steel Zc. Plated	6655ZC001
		304 Stainless	6655SL001
8	Latch	Steel Zc. Plated	6170ZC
		304 Stainless	6170SL
9	Clevis Pin 3/8"	Steel Zc. Plated	9Q4735
		Stainless	9Q4736
10	Circle Cotter for 3/8" Pin	Stainless	9Q5002
11	10" Collar Assembly	Steel	6682MS
		Aluminum	6682AL
		304 Stainless	6682SL
		316 Stainless	6682SS
12	Normal Vent (PPV prefix)	Alum. w/ Nitrile	6496ALB
		Alum. w/ FKM-A	6496ALV

MAINTENANCE: Fill assemblies should be inspected with sufficient frequency and due regard to the products carried to insure a liquid tight closure. Any worn, damaged or missing parts must be replaced. Gaskets should be replaced if their effectiveness is impaired in any way. Replacement gaskets must be compatible with products carried.

WARNING: The PRV contains a heavily loaded spring, disassembly is not recommended. Consult maintenance manual and video for additional instructions. Use only genuine Betts replacement parts; substitute parts can impair the proper functioning of this product and void all warranties.



Designed, engineered and manufactured in the USA. 