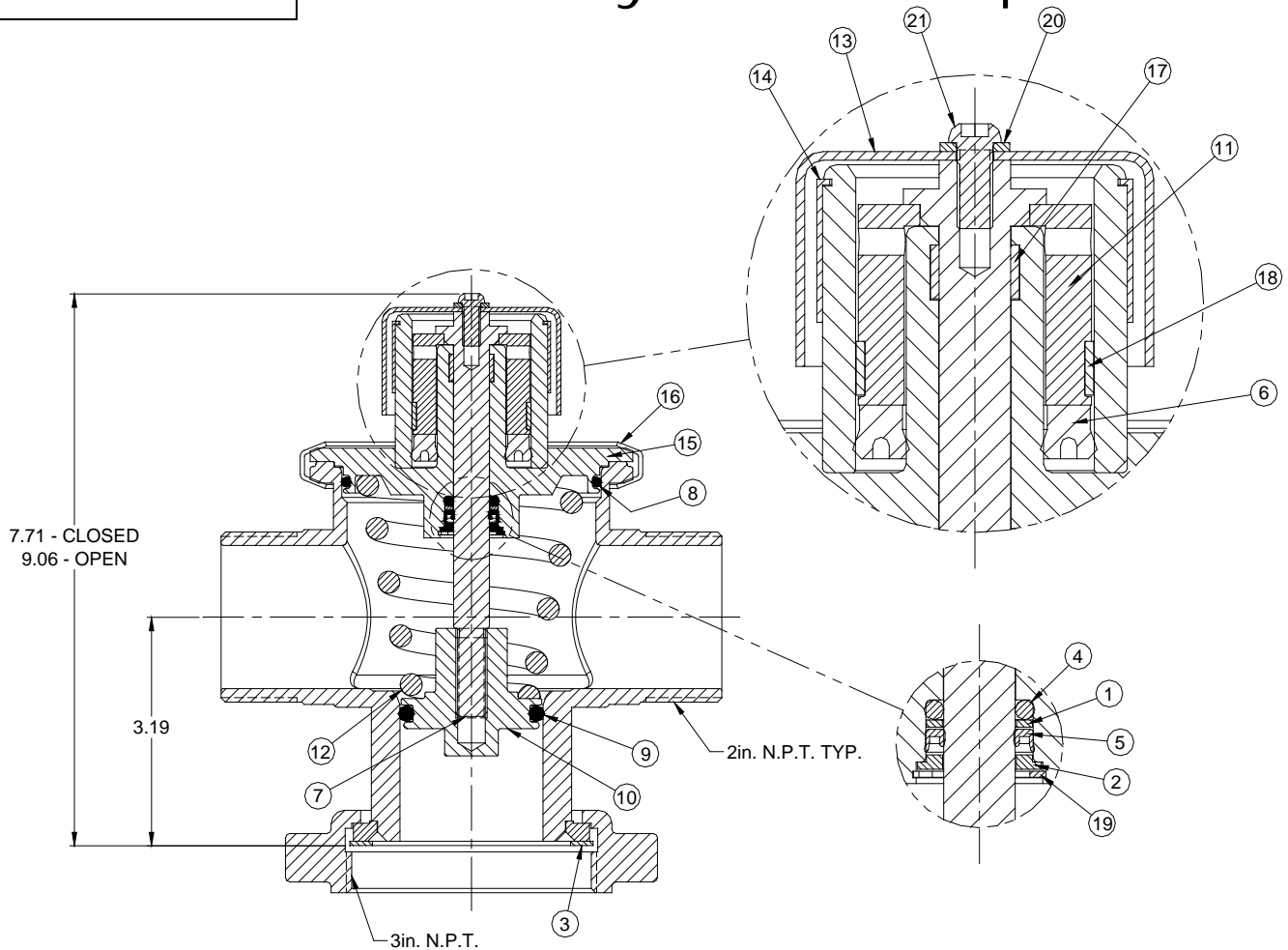


PARTS LIST

# Hydraulic Vapor Valve



NO.	REQ'D.	PART NO.	MATERIAL	DESCRIPTION
1	1	19393SS	316 SS	SEAL RETAINER
2	1	19395SS	316 SS	SEAL RETAINER
3	1	19397TF	TEFLON	MOUNTING SEAL
4	1	19509TS	TEF/SIL	O-RING – STEM
5	1	19510SSTF	316 SS/TEF	U-CUP SEAL – STEM
6	1	19838PM	POLYESTER	HYDRAULIC U-CUP SEAL
7	1	19840SS	316 SS	STEM
8	1	19843TS	TEF/SIL	O-RING – TOPHEAD
9	1	19844TS	TEF/SIL	O-RING – SEAT
10	1	19873SS	316 SS	O-RING HOLDER
11	1	19882SS	316 SS	HYDRAULIC PISTON
12	1	19884SS	316 SS	MAIN SPRING
13	1	19893SL	304 SS	RAIN CAP
14	1	19894PE	POLYETHYLENE	INDICATOR
15	1	27921SS	316 SS	HYDRAULIC TOP HEAD & CYLINDER ASMB.
16	1	28114SL	304 SS	CLAMP RING ASSEMBLY
17	1	8N9426	POLYESTER/PTFE	STEM BUSHING
18	1	8N9427	POLYESTER/PTFE	PISTON BUSHING
19	1	9Q4943	15-7 Mo SS	INT. RET. RING ( <sup>7</sup> / <sub>8</sub> )
20	1	9Q5844	304 SS	LOCK WASHER ¼ in. SS
21	1	9Q5952	18-8 SS	¼ -28UNF x .50 BUTTON HEAD CAP SCREW

WARNING Use only BETTS INDUSTRIES INC. replacement parts. Use of substitute parts can impair the proper function of this product.