

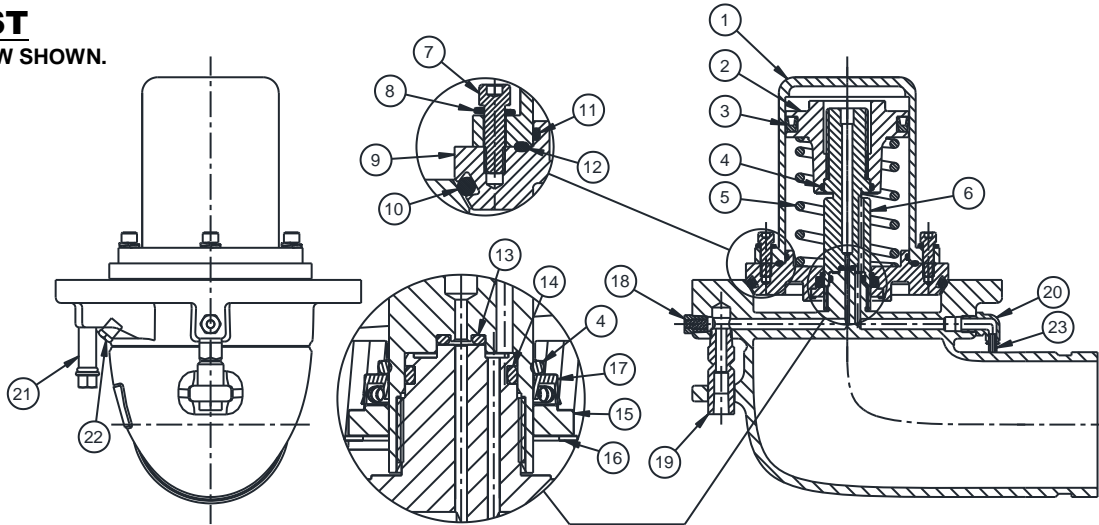
3" Internal Air Emergency Valve

Aluminum w/ 3" Air Cylinder

Page 2 of 2

PARTS LIST

GROOVED ELBOW SHOWN.



No.	Description	Req.	Material	Part No.
1	3" Air Cylinder	1	Alum. (356-T6)	36001AL
2	3" Piston	1	Alum. (319)	75092AL
3	3" U-Cup Seal	1	Polyurethane	75564PY
			Nitrile	17669BN
			FKM "A"	17669VT
			FKM "BLT"	17669VB
4	Piston/Shaft O-Ring	2	Nitrile	3357BN
			FKM "A"	3357VT
			FKM "BLT"	3357VB
			FKM "GFLT-s"	3357VF
			Fluorosilicone	3357FS
5	Spring	1	Steel (E-Coated)	18222EY
6	Air Supply Shaft	1	Alum. Anodized	75090AL
			303 Stainless	75090SS
7	Cap Screw	4	18-8 SS	9Q5822
8	Lock Washer	4	304 SS	9Q5844
9	3" O-Ring Holder	1	Alum. (319)	35914AL
10	3" Main Seat O-Ring	1	Tef-Sil	17944TS
			Nitrile	17944BN
			FKM "A"	17944VT
			FKM "BLT"	17944VB
			FKM "GFLT-s"	17944VF
11	O-Ring 3" Air Cylinder Bore	1	Nitrile	75097BN
			FKM "A"	75097VT
			FKM "BLT"	75097VB
			FKM "GFLT-s"	75097VF
			Fluorosilicone	75097FS
12	O-Ring 3" Face	1	Tef-Sil	75410TS

No.	Description	Req.	Material	Part No.
13	O-Ring Air Inlet Shaft	1	Nitrile	75159BN
			FKM "A"	75159VT
			FKM "BLT"	75159VB
			FKM "GFLT-s"	75159VF
14	O-Ring Air Inlet Shaft Bore	1	Fluorosilicone	75159FS
			Nitrile	75096BN
			FKM "A"	75096VT
			FKM "BLT"	75096VB
15*	Bearing Ring	1	Graphite-PTFE	75656TR
	Bearing Ring Elevated-Temp. Valve			75656TR001
16	Retaining Ring	1	302 SS	9Q4993
17*	Shaft U-Cup Seal	1	PTFE/301 SS	75210SSTF
	Shaft U-cup Seal Elevated-Temp. Valve			75430SLTP
18	Fusible Plug	1	Brass/Solder	FP15003BR
19	Air Inlet Frangible	1	Aluminum	75108AL
20	Drop Fitting (Elbow)	1	Plastic	9Z6201
	Drop Fitting (Tee)			9Z6207
	Drop Fitting (Straight)			9Z6205
21	Jack Screw	1	303 SS/Nitrile	75141SLBN
22	1/8" NPT Plug	1	316 SS	9V4921
23	Drop Tube (Elbow)	4"	Clear Nylon	NN-4-035
	Drop Tube (Str. & Tee)			9Z6204

* 75210SSTF and 75656TR must be used in standard and low-temperature (suffix 038) valves. 75430SLTP and 75656TR001 must be used in elevated-temperature (suffix 030) valves.

Seal Kit # EV75435ALTS includes: (3) 75564PY, (4) 3357BN -2, (11) 75097BN, (12) 75410TS, (13) 75159BN, (14) 75096BN, (15) 75656TR, (16) 9Q4993, (17) 75210SSTS, 9Z6206, (20) 9Z6205, (23) 9Z6204, and (20) 9Z6207.

Seal Kit # EV75435ALTS030 (high temp.) includes: (3) 17669VT, (4) 3357VB -2, (11) 75097VB, (12) 75410TS, (13) 75159VB, (14) 75096VB, (15) 75656TR001, (16) 9Q4993, (17) 75430SLTP, 9Z6206, (20) 9Z6205, and (20) 9Z6207.

Seal Kit # EV75435ALTS038 (low temp.) includes: (3) 75564PY, (4) 3357FS -2, (11) 75097FS, (12) 75410TS, (13) 75159FS, (14) 75096FS, (15) 75656TR, (16) 9Q4993, (17) 75210SSTF, 9Z6206, (20) 9Z6205, (23) 9Z6204, and (20) 9Z6207.

WARNING: Use only genuine BETTS INDUSTRIES INC. replacement parts. Substitute parts can impair the proper function of this product.



Designed, engineered and manufactured in the USA. 