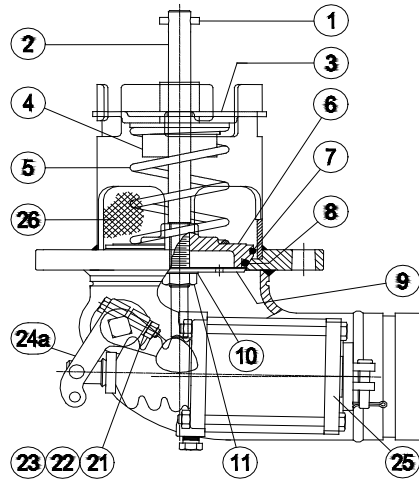


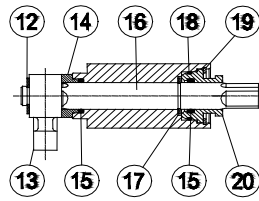
PARTS LIST

Emergency Valve

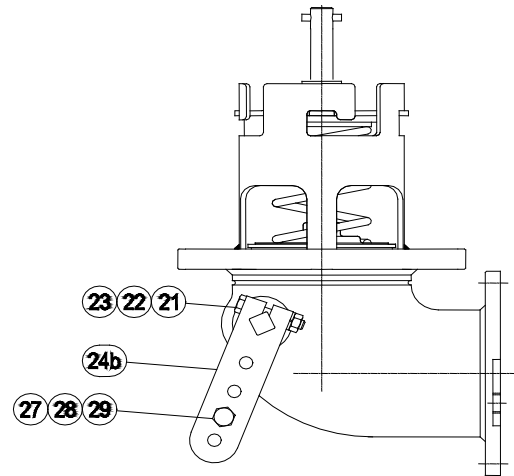
3" Tapered Seat Aluminum



Air Operated



Stuffing Box Detail



Cable Operated

NO.	REQ.	DESCRIPTION	MATERIAL	PART NO.
1	1	Bail Pin 3/16 dia. X 1"	Stnls 18-8	9Q5901
2	1	Stem	Stnls 316	26886SS
3	1	Bonnet	Stnls 316	18770SS
4	1	Spring Washer & Shaft Guide	Teflon W/Glass	18881TG
5	1	Spring	Stnls 316	18222SS
6	1	O-Ring Holder	Aluminum	18768AL
7	1	Guide Ring	Teflon	18283TF
8	1	O-Ring Seat	Viton	18098VT
			Tef - Sil	18098TS
9	1	Retainer Plate	Aluminum	18769AL
10	1	Lockwasher 1/2" external Tooth	Stnls 410	9Q5916
11	1	Hex Half Nut 1/2-20UNF	Stnls 304	9Q5909
12	1	Retaining Ring - Cam	Stnls 410	9Q4933
13	1	Cam	Stnls 316	19021SS
14	1	Retainer Sleeve	Teflon W/Glass	18467TG
15	2	O-Ring Cam Shaft	Viton	17946VT
			Tef-Sil	17946TS
16	1	Cam Shaft	Stnls 316	27340SS
17	1	Retaining Ring - Cam Shaft	Stnls 316	9Q4970
18	1	O-Ring Gland	Viton	17945VT
			Tef-Sil	17945TS
19	1	Retaining Ring - Gland	Stnls 316	9Q4968
20	1	Gland	Aluminum	17821AL
21	1	Bolt 1/4-20UNC x 1.50 lg.	Steel - Zinc Plt.	9Q5947
22	1	Lockwasher 1/4"	Steel - Zinc Plt.	9Q5845
23	1	Hex Nut 1/4-20UNC	Steel - Zinc Plt.	9Q5806
24a	1	Lever Arm - Air	Steel "E" Coated	18366EY
24b	1	Lever Arm - Cable	Steel "E" Coated	10587EY
25	1	Air Cylinder Assembly	Aluminum	AC35005ALB
26	1	Screen - Optional	Stnls 304	17644SL
27	1	Bolt 5/16-18UNC - 1" lg.	Steel - Zinc Plt.	9Q5829
28	1	Lockwasher 5/16"	Steel - Zinc Plt.	9Q5845
29	1	Hex Nut 5/16-18UNC Thd.	Steel - Zinc Plt.	9Q5808