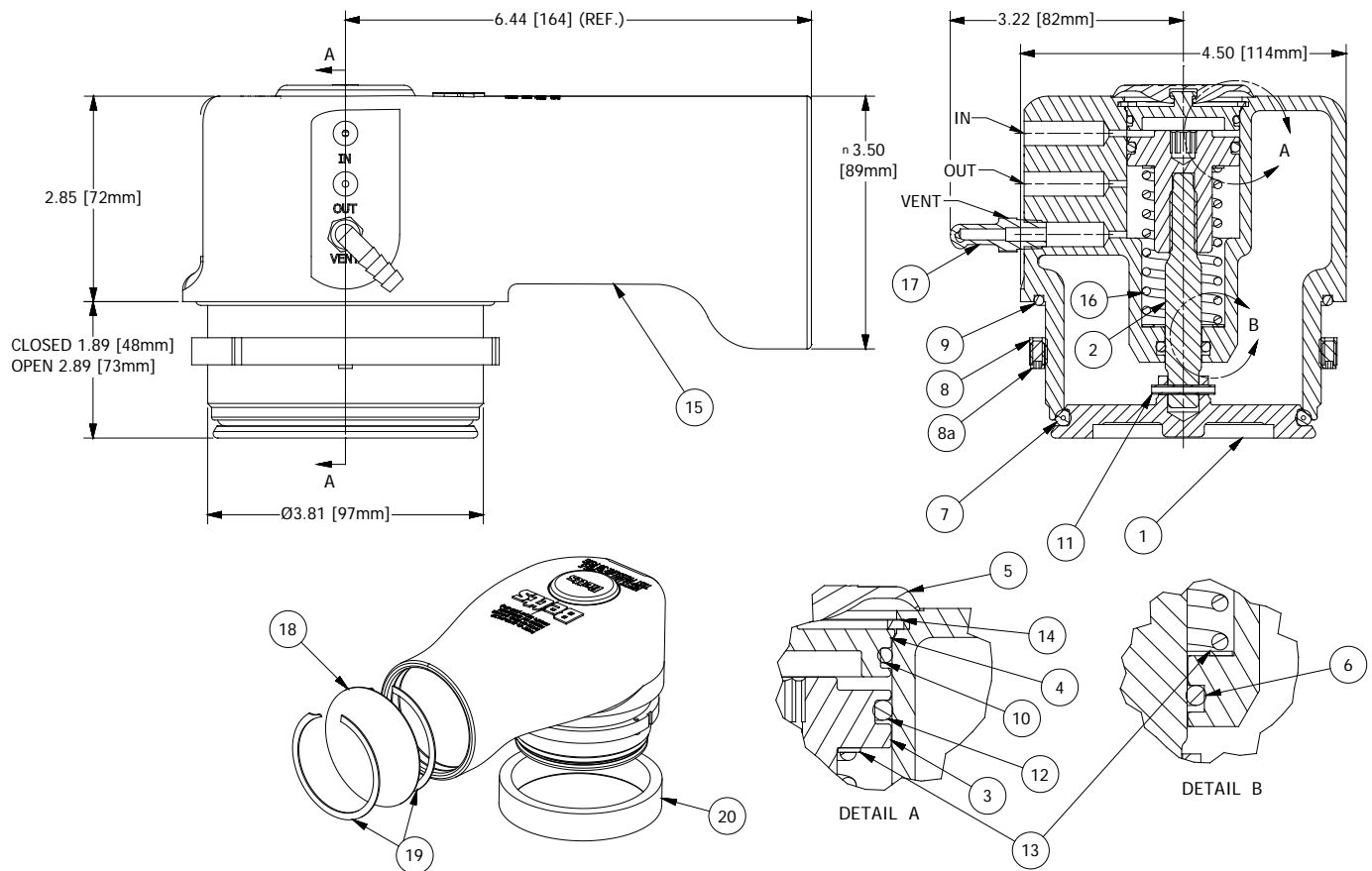


Parts List

3.5" Threaded Mount Interlock Vapor Valve (P/N: AVT3.5ALTS)



NO.	REQ.	DESCRIPTION	MATERIAL	PART NO.
1	1	O-ring Holder	Aluminum	28577AL
2	1	Stem	Stainless	75682SL
3	1	Piston	Aluminum	75636AL
4	1	Air Cylinder Cap	Aluminum	75635AL
5	1	Rain Cap	EPDM	75010EP
6	1	Stem O-ring	Fluorosilicone	19509FS
			Optional mat'l available.	
			FEP Teflon®	19930TS
7	1	Main Seat O-ring	FKM-A	17890VT
			FKM-B	17890VB
8	1	Mounting Ring	Aluminum	19950AL001
8a	2	Set Screw	Stainless	9Q8227
9	1	Mounting O-ring	FKM-A	17657VT
			Optional mat'l available.	

NO.	REQ.	DESCRIPTION	MATERIAL	PART NO.
10	1	Cap O-ring	Fluorosilicone	4339FS
11	1	Roll Pin	Stainless	9Q5920
12	1	Piston O-ring	Fluorosilicone	19971FS
13	2	Red Washer	Hard Fiber	9Z6184
14	1	Retaining Ring	Stainless	9Q4980
15	1	Body	Aluminum	47239AL
16	1	Spring	Stainless	75634SL
17	1	1/8" NPT Barb Elbow	Nylon	9Z6203

Available as Options

18	1	Screen (30x30)	Stainless	18510SL
19	2	Snap Ring	Stainless	9Q4997
20	1	Riser (.84")	Aluminum	75089ALVT

PLUMBING INFORMATION: Vapor valves may be plumbed separately, in sequence with other vapor valves, or they may be interlocked with air operated emergency valves so the vapor valve must open before the emergency valve opens. Refer to Engineering Bulletin 1-01 for more detailed instructions on suggested plumbing.

SEAL KITS: Items 5, 6, 7, 10, 12, and 17 available in seal kit part #'s: SK-AV3.5TS, SK-AV3.5VT, or SK-AV3.5VB. Mounting o-ring sold separately.

WARNING: Use only genuine BETTS INDUSTRIES INC. replacement parts. Use of substitute parts can impair the proper function of this product and void all warranties.