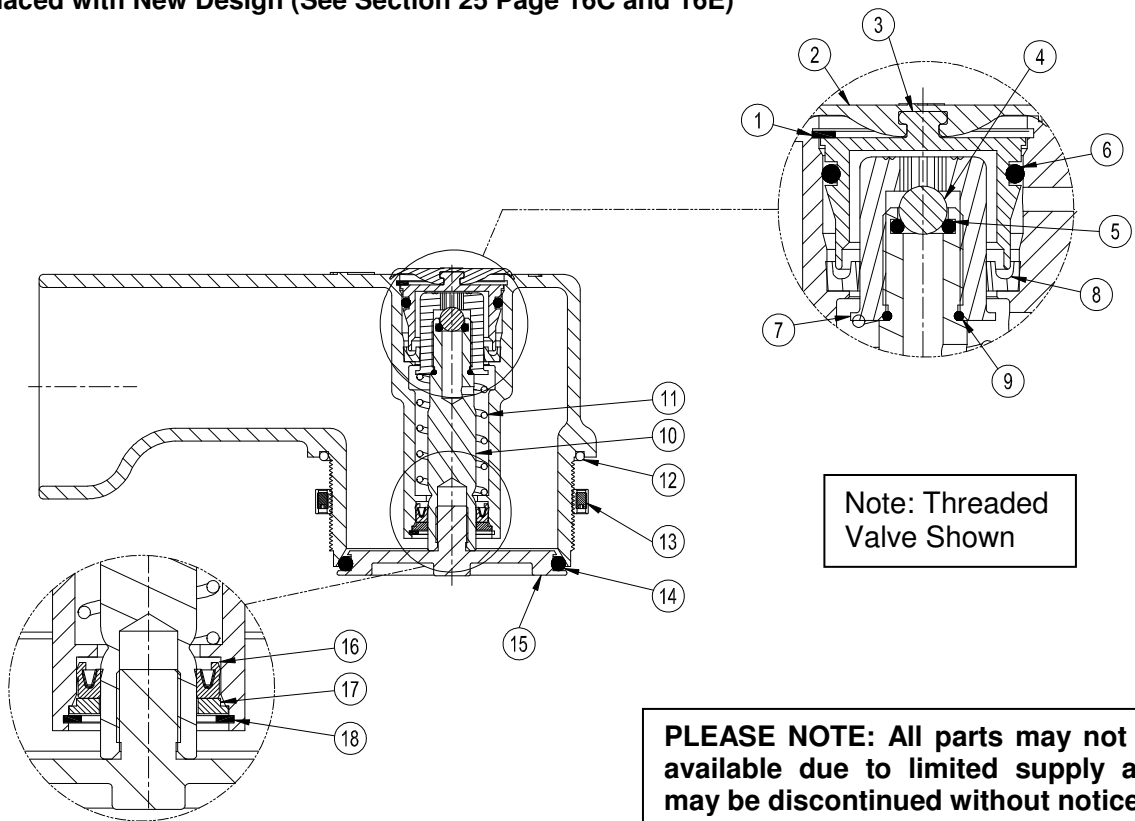


Obsolete Section

Replacement Parts Only

3-1/2" Sequential Interlock Alum. Vapor Valve

Replaced with New Design (See Section 25 Page 16C and 16E)



Assembly Part Numbers

AV46850ALTS – Bolted Mount Vapor Valve

AV46855ALTS – Threaded Mount Vapor Valve

| NO. | DESCRIPTION | REQ | PART NO. | MATERIAL |
|-----|---------------------------------------|-----|-----------|-----------------|
| 1 | Cap Retaining Ring | 1 | 9Q4977 | Stainless Steel |
| 2 | Rubber Rain Cap | 1 | 75010EP | EPDM |
| 3 | Air Cylinder Cap | 1 | 19957ALEY | Alum./E-coat |
| 4 | Interlock Ball | 1 | 9Z4857 | 316 Stainless |
| 5 | Interlock O-ring | 1 | 19467BN | Nitrile |
| | | | 19467VT | FKM 'A' |
| | | | 19467FS | Fluorosilicone |
| 6 | Cap O-ring | 1 | 19971BN | Nitrile |
| | | | 19971VT | FKM 'A' |
| | | | 19971FS | Fluorosilicone |
| 7 | Piston | 1 | 75212AL | Alum./Anodized |
| 8 | Piston Seal | 1 | 75434SLTF | PTFE/SS |
| 9 | Piston O-ring | 1 | 19931BN | Nitrile |
| | | | 19931VT | FKM 'A' |
| | | | 19931FS | Fluorosilicone |
| 10 | Stem | 1 | 28117AL | Alum./Anodized |
| 11 | Spring | 1 | 19960SL | 302 SS |
| 12 | Mounting O-ring (threaded version) | 1 | 17657VT | FKM 'A' |
| | | | 17657VB | FKM 'BLT' |

| NO. | DESCRIPTION | REQ | PART NO. | MATERIAL |
|-----|--|-----|----------|-----------------|
| 13 | Mounting Ring w/ Set Screws (threaded version) | 1 | 19950AL | Aluminum |
| 14 | O-ring Seat | 1 | 19930TS | Tef-Sil |
| | | | 17890VT | FKM 'A' |
| | | | 17890VB | FKM 'BLT' |
| 15 | O-ring Holder | 1 | 28033AL | Aluminum |
| 16 | Shaft Seal | 1 | 75462TF | PTFE/SS |
| 17 | Seal Retainer | 1 | 19958AL | Aluminum |
| 18 | Retaining Ring Shaft Seal | 1 | 9Q4976 | Stainless Steel |

| Mounting Hardware for Bolted Version | | | | |
|--------------------------------------|---|---|----------|---|
| 12a | Gasket (bolted version) | 1 | RGA301CB | Cork Buna (Other Mat'l Avail. See Sec. 40, page 2A) |
| 13a | Bolts & Lock washers (bolted version) | 1 | 75002ZC | Steel/Zn Plt. |
| | | | 75002SL | 304 Stainless |

Seal Kit # AV75601TS (bolted version) includes: (2), (5), (6), (8), (9), (12a), (14), (16).

Seal Kit # AV75602TS (threaded version) includes: (2), (5), (6), (8), (9), (12), (14), (16).



INDUSTRIES, INC. WARREN, PA.

Tel.:(814)723-1250 · Fax:(814)723-7030 · E-Mail: betts@bettsind.com · Web Site: www.bettsind.com

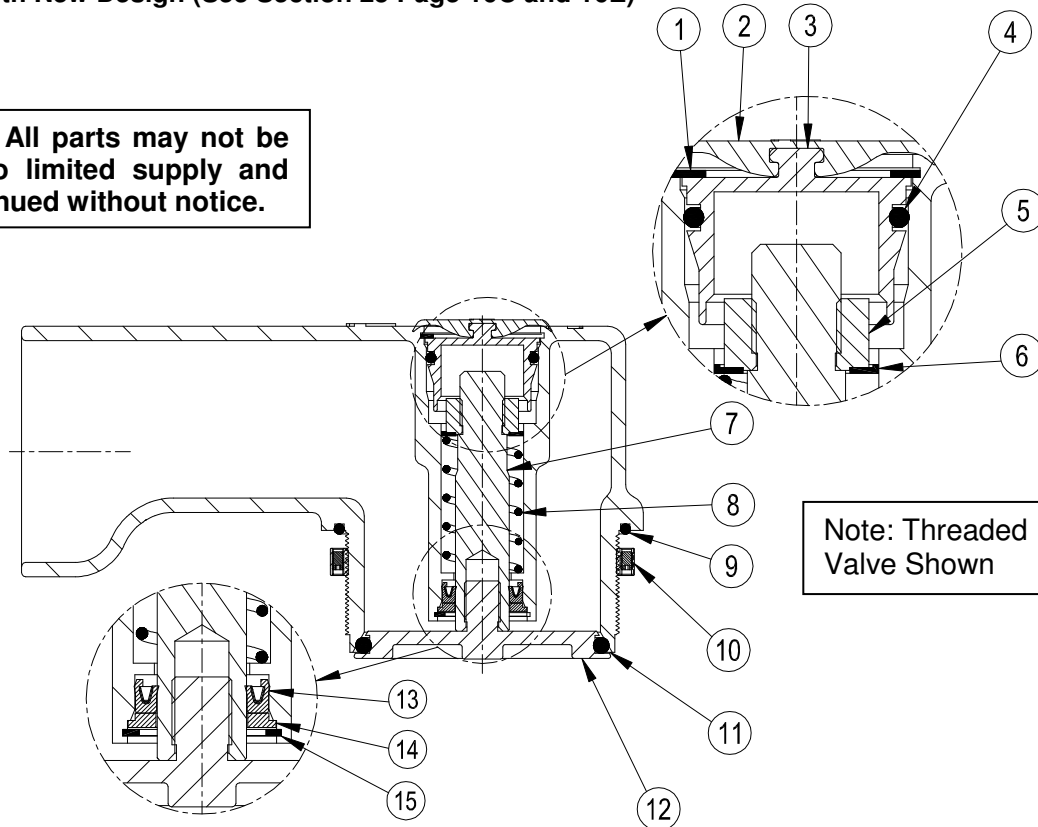
Obsolete Section

Replacement Parts Only

3-1/2 NON-Interlock Alum. Vapor Valve

Replaced with New Design (See Section 25 Page 16C and 16E)

PLEASE NOTE: All parts may not be available due to limited supply and may be discontinued without notice.



Assembly Part Numbers

AV46865ALTS – Bolted Mount Vapor Valve

AV46864ALTS – Threaded Mount Vapor Valve

| NO. | DESCRIPTION | REQ | PART NO. | MATERIAL |
|-----|--|-----|-----------|-----------------|
| 1 | Cap Retaining Ring | 1 | 9Q4977 | Stainless Steel |
| 2 | Rubber Rain Cap | 1 | 75010EP | EPDM |
| 3 | Air Cylinder Cap | 1 | 19957ALEY | Alum./E-coat |
| 4 | Cap O-ring | 1 | 19971BN | Nitrile |
| | | | 19971VT | FKM 'A' |
| | | | 19971FS | Fluorosilicone |
| 5 | Spring Retainer Nut | 1 | 19934AL | Aluminum |
| 6 | Spring Ret. Washer | 1 | 19959BR | Brass |
| 7 | Stem | 1 | 75006AL | Alum./Anodized |
| 8 | Spring | 1 | 19960SL | 302 SS |
| 9 | Mounting O-Ring (threaded version) | 1 | 17657VT | FKM 'A' |
| | | | 17657VB | FKM 'BLT' |
| 10 | Mounting Ring w/ Set Screws (threaded version) | 1 | 19950AL | Aluminum |

| NO. | DESCRIPTION | REQ | PART NO. | MATERIAL |
|-----|------------------------------|-----|-----------|-----------------|
| 11 | O-ring Seat | 1 | 19930TS | Tef-Sil |
| | | | 17890VT | FKM 'A' |
| | | | 17890VB | FKM 'BLT' |
| 12 | O-ring Holder | 1 | 28033AL | Aluminum |
| 13 | Shaft Seal | 1 | 75462SLTF | PTFE/SS |
| 14 | Seal Retainer | 1 | 19958AL | Aluminum |
| 15 | Retaining Ring Shaft Seal | 1 | 9Q4976 | Stainless Steel |

Mounting Hardware for Bolted Version

| | | | | |
|-----|---------------------------------------|---|----------|--|
| 9a | Gasket (bolted version) | 1 | RGA301CB | Cork Buna (Other Mat'l Avail. See Sec. 40, page 2A) |
| 10a | Bolts & Lock washers (bolted version) | 1 | 75002ZC | Steel/Zn Plt. |
| | | | 75002SL | 304 Stainless |

Seal Kit # AV75603TS (threaded version) includes: (4), (11), (13), (9), (2).

Seal Kit # AV75604TS (bolted version) includes: (4), (11), (13), (9a), (2).