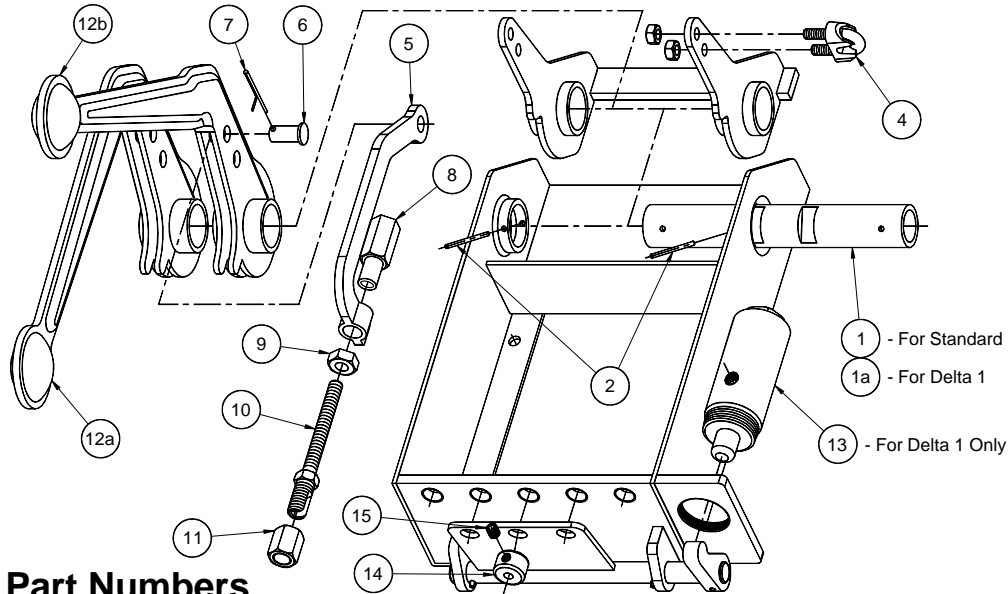


Obsolete Section

Replacement Parts Only

Universal Mechanical Operator and Universal Delta 1 Mechanical Operator

Replaced with New Designs (See Section 28)



Assembly Part Numbers

40397A - Single Compartment Operator

41158A – Single Compartment Delta 1

("A" in part # designates single compartment, "B" designates two compartment, "C" designates three, and so on.)

PLEASE NOTE: All parts may not be available do to limited supply and may be discontinued without notice.

No.	Description	Material	Part No.					
			1 Compt.	2 Compt.	3 Compt.	4 Compt.	5 Compt.	6 Compt.
1	Shaft	Brass	20298A	20298B	20298C	20298D	20298E	20298F
1a	Shaft for Delta 2		20811A	20811B	20811C	20811D	20811E	20811F
2	Roll Pin	Steel	9Q5816					
4	Cable Clamp	Steel	9Q1660					
5	Offset Link	Steel	10083A					
6	Offset Link Clevis	Steel	15757ZC					
7	Offset Link Cotter Pin	Steel	9Q5865					
8	Fusible Bushing Nut	Brass	19724BR					
9	Lock Nut	Steel	9Q5808A					
10	Adjusting Bolt	Steel	20040ZC					
11	Clamping Nut	Steel	10268ZC					
12a	Lever (Style - A)	Steel	20258A					
12b	Lever (Style - B)	Steel	20269A					
13	Air Valve for Delta 1	Brass	20761 (For Delta 1 only)					
14	Cable Bushing for Delta 1	Steel	10942ZC (For Delta 1 only)					
15	Set Screw for Delta 1	Steel	9Q5893 (For Delta 1 only)					

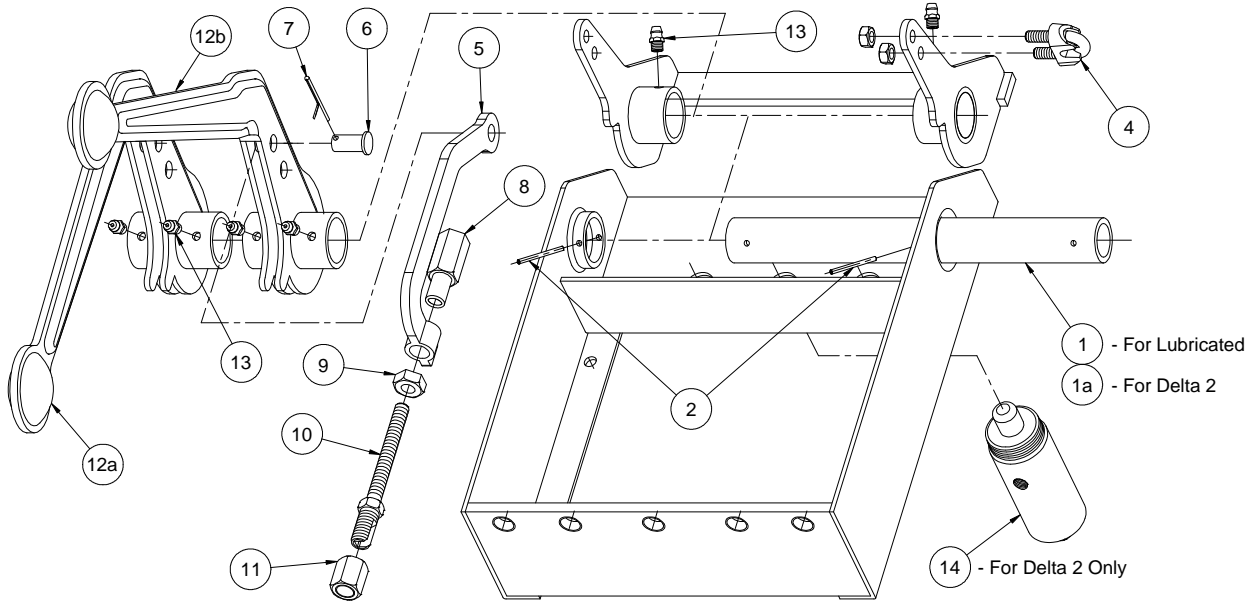
Note: Adjusting Bolt assembly 20040A001 includes items 8, 9, 10, 11.

Obsolete Section

Replacement Parts Only

Universal Lubricated Mechanical Operator and Universal Lubricated Delta 2 Mechanical Operator

Replaced with New Designs (See Section 28)



Assembly Part Numbers

40412A - Single Compartment Lubricated

41251A - Single Compartment Delta 2

("A" in part # designates single compartment, "B" designates two compartment, "C" designates three, and so on.)

PLEASE NOTE: All parts may not be available do to limited supply and may be discontinued without notice.

No.	Description	Material	Part No.					
			1 Compt.	2 Compt.	3 Compt.	4 Compt.	5 Compt.	6 Compt.
1	Shaft for Lubricated	Brass	20126A	20126B	20126C	20126D	20126E	20126F
1a	Shaft for Delta 2		20822A	20822B	20822C	20822D	20822E	20822F
2	Roll Pin	Steel	9Q5816					
4	Cable Clamp	Steel	9Q1660					
5	Offset Link	Steel	10083A					
6	Offset Link Clevis	Steel	15757ZC					
7	Offset Link Cotter Pin	Steel	9Q5865					
8	Fusible Bushing Nut	Brass	19724BR					
9	Lock Nut	Steel	9Q5808A					
10	Adjusting Bolt	Steel	20040ZC					
11	Clamping Nut	Steel	10268ZC					
12a	Lever (Style - A)	Steel	20281A					
12b	Lever (Style - B)	Steel	20282A					
13	Grease Fitting	Steel	9Z4871					
14	Air Valve for Delta 2	Brass	20761 (For Delta 2 only) (one per compartment)					

Note: Adjusting Bolt assembly 20040A001 includes items 8, 9, 10, 11.