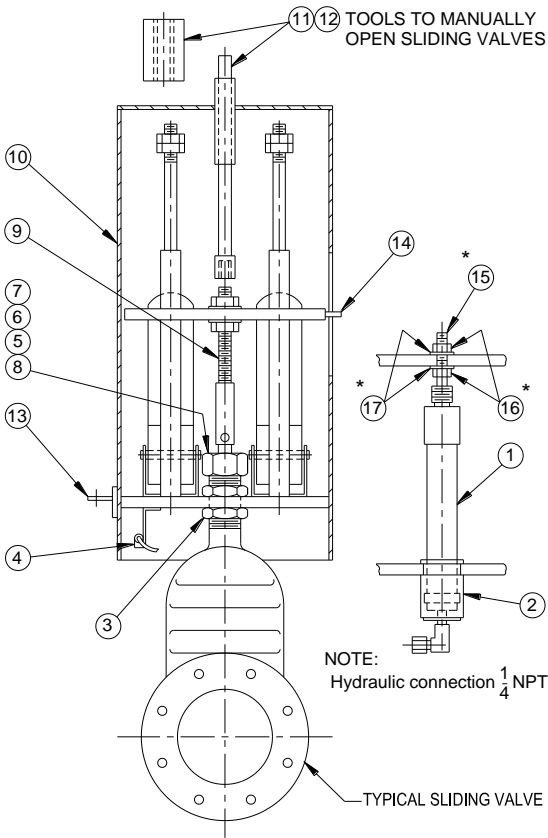


Parts List

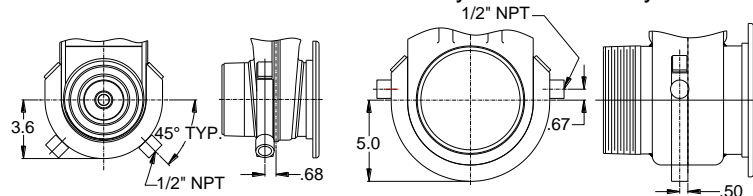
4", and 6" Hydraulic Sliding Valves

Page 2 of 2



No.	Description	Req.	Material	3&4" Valve	6" Valve
				Part No.	Part No.
1	Cylinder Assembly	2	Steel	18668MS	18656MS
2	Cylinder Support Ass'y	2	Steel "E" Coated	18398EY	18418EY
3	Jam Nut-Stuffing Box	2	304 Stnls.	18384SL	18384SL
4	Bracket & "T" Ass'y	1	Steel	18628MS	18628MS
5	Bottom Gland	1	316 Stnls.	15076SS	15076SS
6	Packing Set	Set	Non-Asb/Tef	15227NT	15227NT
7	Top Gland	1	316 Stnls.	15220SS	15220SS
8	Stuffing Box Nut	1	304 Stnls.	15026SL	15026SL
9	Shaft Connector	1	Steel "E" Coated	18633EY	18633EY
10	Can Assembly	1	Steel "E" Coated	35081EY	35078EY
11	Nut-Manual Open Tool	1	Aluminum	18638AL	18638AL
12	Shaft-Manual Open Tool	1	Brass	27085BR	27085BR
13	Mounting Bracket	2	Steel "E" Coated	26995EY	26995EY
14	Indicator Pin	1	Steel	18422MS	18422MS
15	Cylinder Adj. Screw	*2	Steel	18397MS	18397MS
16	5/16-24 Hex Nuts	*2	Steel	9Q5808	9Q5808
17	5/16 Flat Washers	*2	Steel	9Q5846	9Q5846

* Parts are included with Item No. 1 Cylinder Assembly



4" Heat Tube Details

6" Heat Tube Details

PROCEDURE TO CHANGE HYDRAULIC CYLINDERS:

Remove stroke indicator pin(14), mounting bracket(13) and can assembly(10). Loosen two jam nuts holding cylinder shaft to top plate. Disconnect hydraulic tube from "T" assembly to cylinder. Pull cylinder assembly(1) and cylinder support(2) straight out to remove. Reverse procedure to install new cylinders.

PROCEDURE TO INSTALL NEW PACKING:

Follow same procedure for changing hydraulic cylinder. Loosen the two nuts on shaft connector at top and bottom of plate. Remove the top nut and thread bottom nut down shaft connector as far as it will go. Remove nut and bolt used to fasten shaft connector(9) to valve stem. Tap shaft connector up off valve stem, pull to side and down to remove. If teflon sleeve is present inside top plate, leave on shaft when removing. Remove stuffing box nut(8) with a 1 5/8" socket wrench. Remove top gland(7) and repack stuffing box. Reverse procedure to reassembly.

REQUIRED ADJUSTMENT IF SEAL BECOMES LOOSE FROM USE:

Loosen top nut only at center of plate. Tap shaft with "soft" hammer to firmly seat valve. Tighten bottom nut until there is 1/4" space between the four post spacers and the underside of top plate. Retighten top nut and finish reassembling.
NOTE: Seat adjustment should be done when changing a cylinder or repacking the valve.

PROCEDURE TO MANUALLY OPEN VALVE:

Remove plastic plug in top center of can assembly(10). Position female thread end of shaft(12) through hole and thread onto shaft connector(9) approx. 3/4". Thread nut(11) onto end of shaft and tighten until valve opens.
NOTE: Valve can be opened approx. 3".

WARNING Use only genuine Betts Industries Inc. replacement parts. Use of substitute parts can impair the proper functioning of this product.



Designed, engineered and manufactured in the USA.