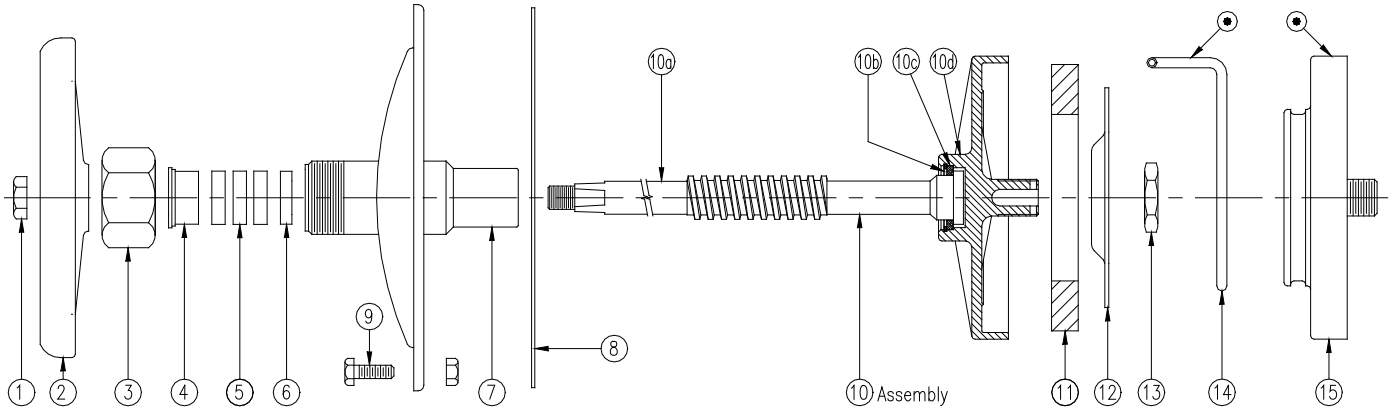


# Manifold Valve

## PARTS LIST



⊙ TO CONVERT FROM FIXED DISC TO SWING DISC ORDER PARTS 10a, 14 & 15.

No.	Description	Req'd.	Size	Material	Part No.
1	Hex Nut 1/16-14 Thd.	1	2"-4"	Steel Zinc Plt.	9Q5811
2	Handwheel	1	2"	Aluminum	25047AL
			3"	Aluminum	25186AL
			4"	Aluminum	25245AL
			4"	Aluminum	25245AL
3	Stuffing Box Nut	1	2"-4"	Aluminum	15026AL
4	Top Gland	1	2"-4"	316 Stnls.	15220SS
5	Packing Set	Set	2"-4"		15227NT
6	Bottom Gland	1	2"-4"	316 Stnls.	15076SS
7	Tophed & Bonnet	1	2"	Aluminum	25305AL
			3"	Aluminum	15382AL
			4"	Aluminum	25365AL
8	Tophead Gasket	1	2"	Cork-Buna-N	15208CB
				Non-Asbestos	15208NA
				Teflon-Env.	15208TF
				Teflon-Env.	15208TF
			3"	Cork-Buna-N	15022CB
				Non-Asbestos	15022NA
				Teflon-Env.	15022TF
				Teflon-Env.	15022TF
4"	Cork-Buna-N	15265CB			
	Non-Asbestos	15265NA			
	Teflon-Env.	15265TF			
9	Bolts & Nuts	Set	2"	Steel Zinc Plt.	16807ZC
			3"	Steel Zinc Plt.	15023ZC
			4"	Steel Zinc Plt.	16549ZC
10	Disc Holder & Stem Assy.	1	2"	Aluminum	17682AL
			3"	Aluminum	17683AL
			4"	Aluminum	17684AL

No.	Description	Req'd.	Size	Material	Part No.
10a	Stem	1	2"	Aluminum	25210AL
			3"	Aluminum	25039AL
			4"	Aluminum	15016AL
10b	Retaining Ring	1	2"-4"	Steel	9Q4963
10c	Washer	1	2"-4"	Aluminum	19729AL
10d	Disc Holder	1	2"	Aluminum	15154AL
			3"	Aluminum	15203AL
			4"	Aluminum	15151AL
11	Disc	1	2"	Buna-N	15156BU
			3"	Buna-N	15202BU
			4"	Non-Asbestos	15202NA
			4"	Viton	15202VT
				Teflon	15202TF
				Buna-N	15024BU
				Non-Asbestos	15024NA
				Viton	15024VT
				Teflon	15024TF
12	Disc Retaining Plate	1	2"	Steel	9Q1043
			3"	Aluminum	15006AL
			4"	Aluminum	15051AL
13	Disc Plate Nut	1	2"-4"	316 Stnls.	15204SS
14	Swing Arms	1	2"	18-8 Stnls.	15034SL
			3"	18-8 Stnls.	15179SL
			4"	18-8 Stnls.	15289SL
15	Swing Disc Holder	1	2"	Aluminum	15155AL
			3"	Aluminum	25189AL
			4"	Aluminum	15152AL

### MANIFOLD SUB-ASSEMBLIES

Size	Manifold Material	Standard & Bottom Loading Style		Pressure Style
		Fixed Disc (Parts 1-13) Assembly No.	Swing Disc (parts 1-9, 10a & 11-15) Assembly No.	Fixed Disc Assembly No.
2"	Steel	WV17592ALB	WV17602ALB	N/A
3"	Steel	WV17593ALB	WV17603ALB	WV17593ALB
	Aluminum			
4"	Steel	WV17594ALB	WV17604ALB	WV17594ALB
	Aluminum			

#### NOTES:

Manifold sub-assemblies as listed at left are standard with Buna-N disc, non-asbestos packing and cork Buna-N gasket. (Suffix "B")

VARIATIONS: (Suffix "A") when used would include non-asbestos disc, packing and gasket.  
 (Suffix "T") when used would include teflon disc, packing and gasket.  
 (Suffix "V") when used would include viton disc teflon packing and gasket.

WARNING Use only genuine Betts Industries Inc. replacement part. Use of substitute parts can impair the proper functioning of this product.