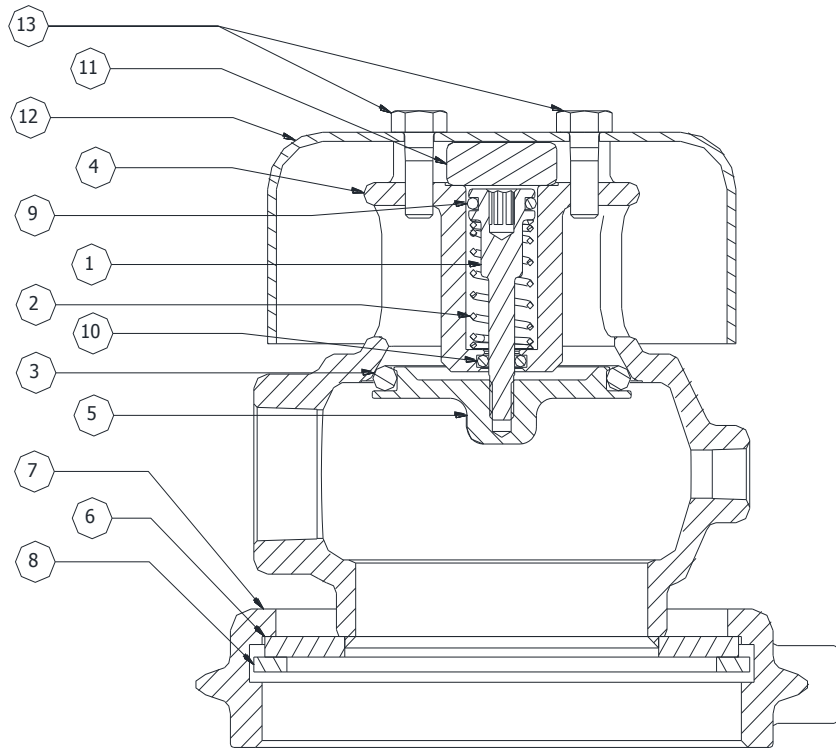


# GUARDIAN™ 407/412 VACUUM VENT

Page 2 of 2

## PARTS LIST



No.	Req'd	Description	Material	Part Numbers (3")	Part Numbers (4")
1	1	Stem	PTFE/SS	75807SS	75807SS
2	1	Spring	316 SS	75810SS	75810SS
3	1	O-Ring	Tef/Sil	75811TS	75811TS
4	1	Body	316 SS	28801SS	28801SS
5	1	O-Ring Holder	316 SS	28799SS	28799SS
6	1	Disc	316 SS	75812SS-3	75812SS-4
7	1	Swivel Nut	316 SS	28099SS	28803SS
8	1	Gasket	PTFE	75800TF-3	75800TF-4
9	1	Piston Guide Ring	PTFE	18141TF	18141TF
10	1	Stem Guide Ring	PTFE	19505TF	19505TF
11	1	Magnet	Coated REM	9Z6209	9Z6209
12	1	Shroud	316 SS	28833SS	28833SS
13	2	1/4-20 Cap Screw	Stainless	9Q5822A	9Q5822A



Designed, engineered and manufactured in the USA. 