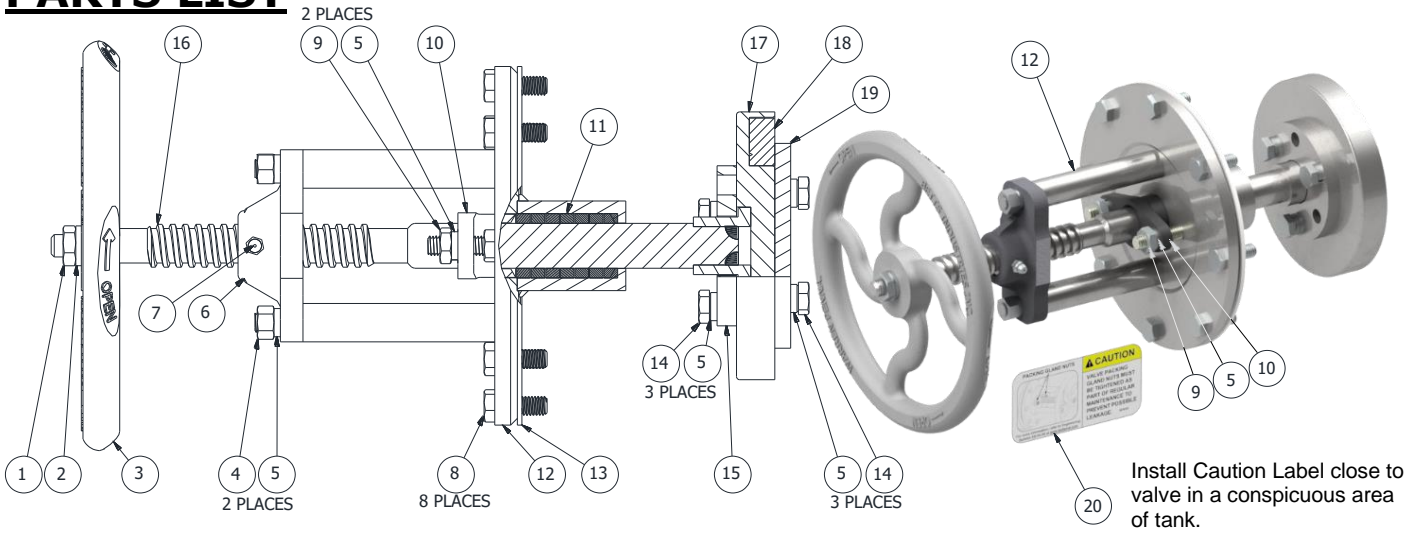


PARTS LIST



Sub Assembly	Description
RH17962MSA	Steel w/ Non-Asbestos Disc

No.	Description	Req.	Material	Part No.
1	Jam Nut 7/16-14	1	Steel (Zinc Plt.)	9Q5811
			Stainless Steel	9Q8026
2	Lock Washer 7/16"	1	Steel (Zinc Plt.)	9Q8617
			Stainless Steel	9Q8616
3	Handwheel	1	Aluminum	26604AL
4	Jam Nut 3/8-24	2	Steel (Zinc Plt.)	9Q5905
			Stainless Steel	9Q5874
5	Lock Washer 3/8"	10	Steel (Zinc Plt.)	9Q5907
		18	Stainless Steel	9Q5906
6	Stem Nut	1	Malleable Iron	26576MA
7	Grease Fitting	1	Steel (Zinc Plt.)	9Z3058
8	Cap Screw 3/8-16 X 1	8	Steel (Zinc Plt.)	9Q5833A
	Cap Screw 3/8-16 X 3/4	8	Stainless Steel	9Q5994
9	Nut 3/8-16	2	Steel (Zinc Plt.)	9Q5890
			Stainless Steel	9Q5809
10	Packing Gland	1	Stainless Steel	15503SL
11	Packing (Standard)	1	Non-Asbestos w/ Graphite	15655NA
	Packing (SS valves)	1	Non-Asbestos w/ PTFE	15655NT

No.	Description	Req.	Material	Part No.
12	4" Tophead & Bonnet	1	Steel	27865MS
			Stainless Steel	27865SL
13	4" Tophead Gasket	1	Non-Asbestos	17493NA
14	Cap Screw 3/8-24 X 3/4	6	Steel (Zinc Plt.)	9Q5832
			Stainless Steel	9Q5831
15	Stem Retainer	1	Steel	17489MS
			Stainless Steel	17489LC
16	Stem	1	Steel	26574MS
			Stainless Steel	26574SL
17	4" Disc Holder	1	Steel	17488MS
			Stainless Steel	17488SL
18	4" Disc	1	Non-Asbestos	15024NA
			FKM (Type A)	15024VT
			PTFE	15024TF
19	4" Disc Retainer	1	Steel	17490MS
20	Caution Label	1	Vinyl	9Z4040

WARNING: Use only genuine Betts replacement parts. Use of substitute parts can impair the proper function and safety of this product and void all warranties. For additional information see Maintenance Manual **MM-RH001**.

WARNING: This product can expose you to chemicals including Lead, which is known to the State of California to cause cancer and birth defects or other reproductive harm. For more information go to: www.P65Warnings.ca.gov



Designed, engineered and manufactured in the USA. 