	Form Title:	<p align="center">ENGINEERING BULLETIN</p>	Document #: EB-01-24 <small>(Form: DEF-003A-1)</small>
	Document Title:	<p><i>Design Enhancement to the Cable Pull Lever for 1" Water Drain Emergency Valve</i></p>	Revision: 0
			Date: Mar. 1, 2024
			Page: 1 of 1

Description of Bulletin:

This bulletin provides information regarding a design enhancement to the cable pull lever for the 1" Tapered Seat Aluminum Emergency Valve.

Bulletin Details:

The cable pull lever for the 1" water drain valve has been improved to add additional length and added mounting holes for an optional cable clamp. This enhancement reduces the pull force required to open the valve. The details of the modification are shown below.

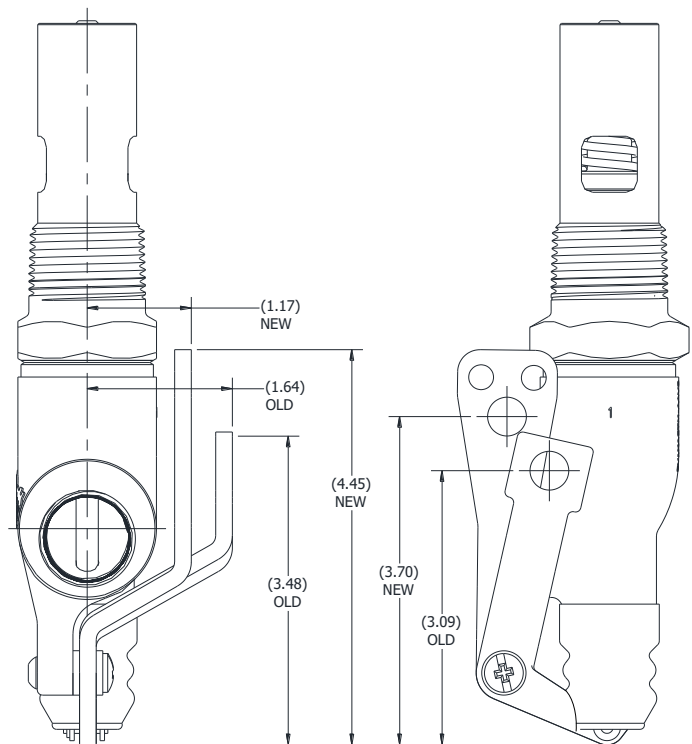
Any valves manufactured after April 1st 2024 will have the new cable lever P/N 29582SL.



New Cable Lever P/N: 29582SL



Old Cable Lever



Cable Clamp Option

A 3/16" wire rope cable clamp can be purchased separately under part number 9Q1660.

