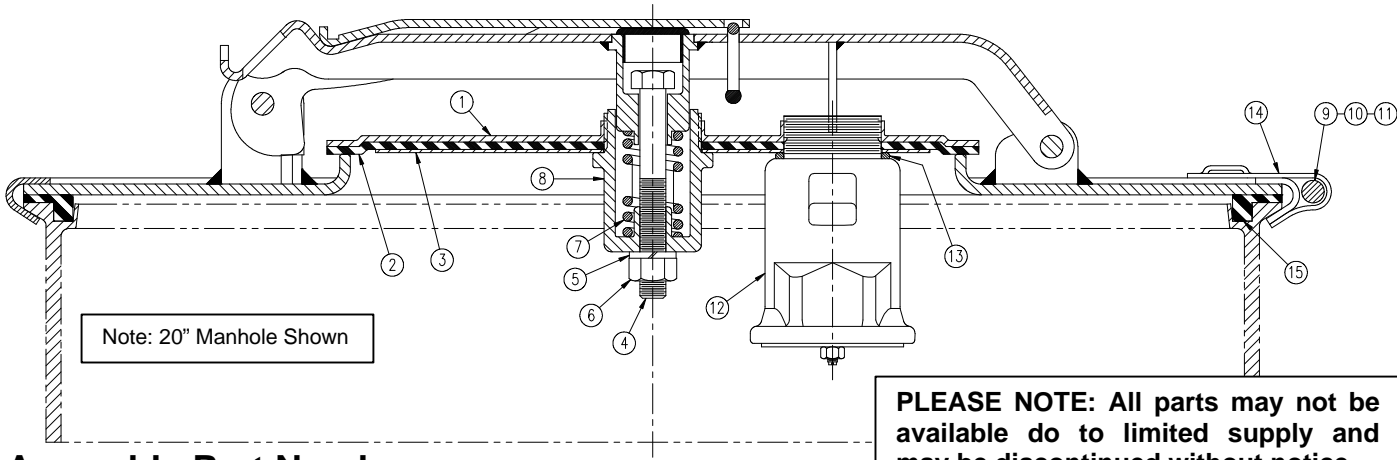


Obsolete Section

PAF 1000 Manhole / Relief Vent

Replacement Parts Only



Assembly Part Numbers

PLEASE NOTE: All parts may not be available do to limited supply and may be discontinued without notice.

- FVA8110__ - 10" Fill Style
- FVA8416_X - 16" Manhole
- FVA8442_X - 16" Manhole Self Latch Style

- FVA8412_X - 12"x16" Manhole
- FVA8420_X - 20" Manhole
- FVA8463_X - 20" Manhole Self Latch Style

No.	Description	Material	Part No.
1	Cover-Relief Valve	Steel	6091MS
		Steel Zinc Pt.	6091ZC
		Stnls 304	6091SL
		Stnls 316	6091SS
2	Gasket-Relief Valve	Buna-N	3249BU
		Viton	3249VT
		Wh. Hypalon	3249WH
		Teflon	3249TF
3	Retainer Plate	Steel	3213MS
		Aluminum	3213AL
		Stnls 304	3213SL
		Stnls 316	3213SS
4	Bolt	Steel Zinc Pt.	3248ZC
		Stnls 316	3248SS
5	Lock Washer 7/16"	Steel Zinc Pt.	9Q8617
		Stnls 316	9Q8616
6	7/16"-14 Hex Nut	Steel Zinc Pt.	9Q8578
		Stnls 316	9Q8026
7	Spring	Stnls 17-7	3884SL
8	Spring Well	Aluminum	3247AL
		Stnls 316	3247SS

No.	Description	Material	Part No.			
9	Bolt-Clamp	Steel Zinc Pt.	3029ZC			
		Stnls 304	3029SL			
10	3/8"-16 Nut-Clamp	Brass	3030BR			
		Stnls 304	9Q5809			
11	Washer-Clamp	Steel Zinc Pt.	3031ZC			
		Stnls 304	3031SL			
12	Vent Assembly	Alum/Stnls	6238AL_			
13	O-Ring	Buna-N	17211BN			
		Viton	17211VT			
		EPDM	17211EP			
		PTFE	17211TF			
			16"	12"x16"	20"	
14	Clamping Ring	Steel	3028MS	3040MS	3036MS	
		Steel Zinc Pt.	3028ZC	3040ZC	3036ZC	
		Stnls 304	3028SL	3040SL	3036SL	
15	Manhole Gasket Channel Type	B	Buna-N	3559BN	3494BN	3560BN
		V	Viton	3559VT	3494VT	3560VT
		W	Wh. Hypalon	3559WH	3494WH	3560WH
		T	Teflon Env.w/ Wh. Hypalon	3025TF	3038TF	3033TF

MAINTENANCE: Manhole assemblies should be inspected with sufficient frequency and due regard to the products carried to insure a liquid tight closure. Any worn, damaged or missing parts must be replaced. Gaskets should be replaced if their effectiveness is impaired in any way. Replacement gaskets must be compatible with products carried.

WARNING Use only genuine Betts Industries Inc. replacement parts. Use of substitute parts can impair the proper functioning of the Pressure Relief Valve and Manhole Assembly.