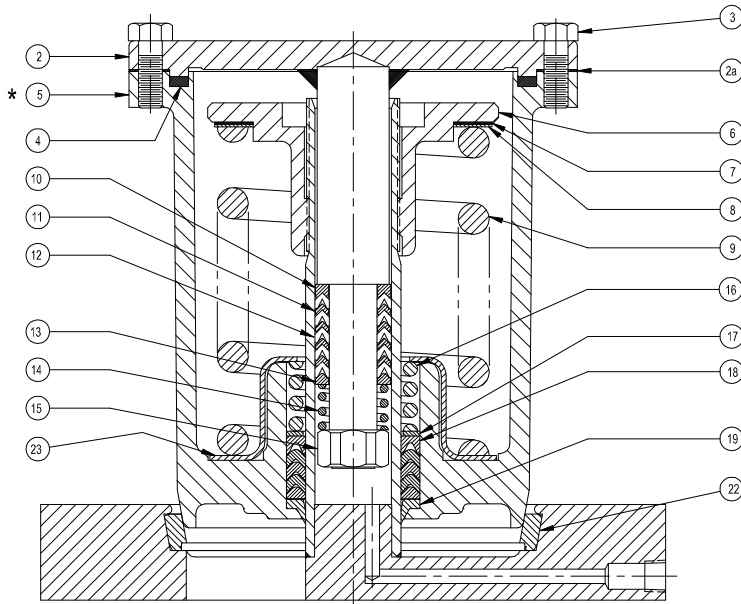


Obsolete Section

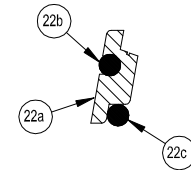
Replacement Parts Only

Internal Chemical Hydraulic Valve

Replaced with New Designs (See Section 28)



PLEASE NOTE: All parts may not be available do to limited supply and may be discontinued without notice.



Seat w/ O-rings

* 27996LC Includes items 5, 16 & 23

Assembly Part Numbers

CH45843SST - Internal Chemical Hydraulic Valve

Replacement Kit of Teflon Parts

CH17827TF-Includes items 2a,4,7,12,18,19 & 22

CH19030TF-Includes items 2a,4,7,12,18,19 & 22a

No.	Description	Req.	Material	Part No.
2	Cover Assembly	1	316 Stnls	17294SS
2a	Gasket	1	Teflon	19720TF
3	Cap Screw	12	316 Stnls	9Q3305
4	Gasket	1	Teflon	17295TF
5	Disc Assembly	1	316 Stnls	27996LC
6	Spring Retainer	1	316 Stnls	25887SS
7	Shim-Spring	1	Teflon	16867TF
8	Shim-Spring	1	Stnls	16866SL
9	Shim-Spring	1	316 Stnls	16890SS
10	Female Adapter-Piston	1	304 Stnls	16732SL
11	Separator Rings-Piston	4	304 Stnls	15628SL
12	Packing Rings-Piston	Set	Teflon	15634TF

No.	Description	Req.	Material	Part No.
13	Male Adapter-Piston	1	304 Stnls	15629SL
14	Spring-Piston	1	316 Stnls	15652SS
15	Retainer Nut-Piston	1	304 Stnls	15630SL
16	Spring-Stuffing Box	1	316 Stnls	19616SS
17	Follower Washer-Stuffing Box	1	316 Stnls	19594SS
18	Packing Rings-Stuffing Box	Set	Teflon	15759TF
19	Wiper	1	Teflon	15862TF
22	Replaceable Seat	1	Teflon	16644TF
22a	Replaceable Seat w/ O-Rings	1	Tef-Sil	18897TFTS
22b	Seat O-Ring only	1	Tef-Sil	18246TS
22c	O-Ring	1	Tef-Sil	18834TS
23	Retainer-Packing	1	316 Stnls	19446SS

INSTALLATION INSTRUCTIONS

Install valve to a flat mounting surface. Connect hydraulic line to 1/8 NPT connection on O.D. of seat flange leaving fitting loose. Operate pump until all air is bled from system. Tighten fitting. Check all connections for leaks. Refill pimp reservoir.

MAINTENANCE INSTRUCTIONS

TO REPLACE TEFLON SEAT: Loosen cap screws No.3 and remove cover assembly No.2. Spring Retainer No.6 can now be unscrewed with spanner wrench to unload spring No.9. Valve is designed so spring will be unloaded before retainer is completely unscrewed from stem. Remove disc assembly No.5. DO NOT pry under sealing edge of disc assembly. It is recommended that a new set of packing No.18 be installed whenever valve is disassembled. If packing is not to be replaced care should be taken when removing disc assembly not to damage packing on threads of stem. If packing is to be replaced, remove Packing Retainer, Stuffing Box Spring and Follower Washer No's. 23,16 & 17. Install new set of packing and replace Part No's. 23,16 & 17. Use care not to damage packing on threads when replacing disc assembly. With disc assembly removed from stem, remove damaged teflon seat No.22 by cutting with a sharp knife or blade. Do not damage tapered lip on seat flange. Clean groove of all foreign material. Place new teflon seat into groove on one side and carefully force seat into groove using both thumbs. Seat will snap into groove when completely in place. Reassemble valve by reversing the above procedure. Check that valve opens and closes and seats properly before installing in tank.

We suggest the use of NEVER-SEEZ anti-seize and lubricating compound or equal on all threads.