

# 16" Manhole PAF406-98 Surge

CLAMP RING STYLE with PRV

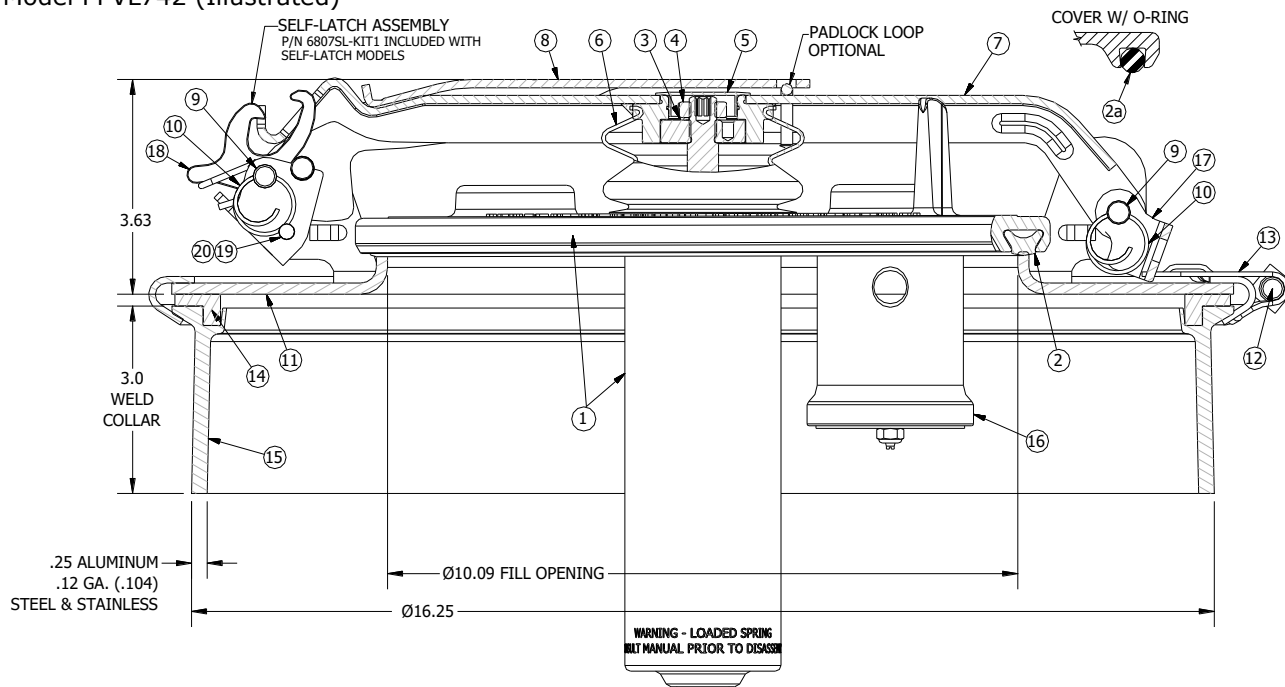
Page 2 of 2

## PARTS LIST

Note: See Section 84 Page 18C for aluminum cover parts list

Model PPVL716

Model PPVL742 (Illustrated)



No.	Description	Material	Part No.
1	406-98 PRV Assembly (Includes #2 or #2a gasket) (use suffix "167" for assembly w/ provision for two vents)	Alum. w/ Nitrile	7509ALBN
		Alum. w/ FKM-A	7509ALVT
		Alum. w/ EPDM	7509ALEP
		Alum. w/ Wht. Hyp.	7509ALWH
		Alum. w/ Tef-Sil	7509ALTS
2	Dovetail Gasket for PRV	Nitrile (Buna-N)	3119BN
		FKM-A	3119VT
		Wht. Hypalon	3119WH
		Nitrile (Buna-N)	4100BN
2a	Optional O-Ring (Interchangeable with 3119 dovetail gasket)	FKM-A	4100VT
		EPDM	4100EP
		Tef-Sil	3902TS
		Opt. O-ring (only fits TS cover)	
3	Lockwasher 7/16"	Steel Zc. Plated	9Q5961
		Stainless	9Q5933
4	Jam Nut 7/16-20	Steel Zc. Plated	9Q5960
		Stainless	9Q5040
5	Push-in Plug (yellow)	Polyethylene	9Z6163
6	Bellows	EPDM	4020EPDM
7	Strongback	Steel Zc. Plated	6759ZC
		304 Stainless	6759SL
8	Latch	Steel Zc. Plated	6170ZC
		304 Stainless	6170SL
9	Clevis Pin 3/8"	Steel Zc. Plated	9Q4735
		Stainless	9Q4736
10	Circle Cotter for 3/8" Pin	Stainless	9Q5002

No.	Description	Material	Part No.
11	16" Manhole Cover	Steel Zinc Plt.	6760ZC
		304 Stainless	6760SL
		316 Stainless	6760SS
12	Clamp Ring Bolt Kit	Steel. Zc. w/ Br. Nut	4121ZC001
		Stainless	4121SL001
		SS w/ Brass Nut	4121SL001/421
13	16" Clamp Ring	Steel Zc. Plated	3028ZC
		304 Stainless	3028SL
14	16" Manhole Gasket	Nitrile (Buna-N)	3559BN
		FKM-A	3559VT
		White Hypalon	3559WH
		PTFE Env. Nitrile	3025TF
15	16" Manhole Collar (Sold Separately)	Steel	3057MS
		Aluminum	3057AE
		304 Stainless	3057SL
		316 Stainless	3057SS
16	Normal Vent (PPV prefix)	Alum. w/ Nitrile	6496ALB
		Alum. w/ FKM-A	6496ALV
		Alum. w/ FKM-B	6496ALVB
		Alum. w/ Fluor	6496ALFS
		Alum. w/ EPDM	6496ALEP
17	Stop Bracket (model 742 only)	304 Stainless	4195SL
18	Self-Latch Assem. (742 only)	304 SS / Brass	6807SL
19	Clevis Pin 1/4" (model 742 only)	Stainless	4208SL
20	Circle Cotter for 1/4" Pin (742)	Stainless	9Q5003

**MAINTENANCE:** Manhole assemblies should be inspected with sufficient frequency and due regard to the products carried to insure a liquid tight closure. Any worn, damaged or missing parts must be replaced. Gaskets should be replaced if their effectiveness is impaired in any way. Replacement gaskets must be compatible with products carried.

**WARNING:** The PRV contains a heavily loaded spring, disassembly is not recommended. Consult maintenance manual and video for additional instructions. Use only genuine Betts replacement parts; substitute parts can impair the proper functioning of this product and void all warranties.



Designed, engineered and manufactured in the USA. 