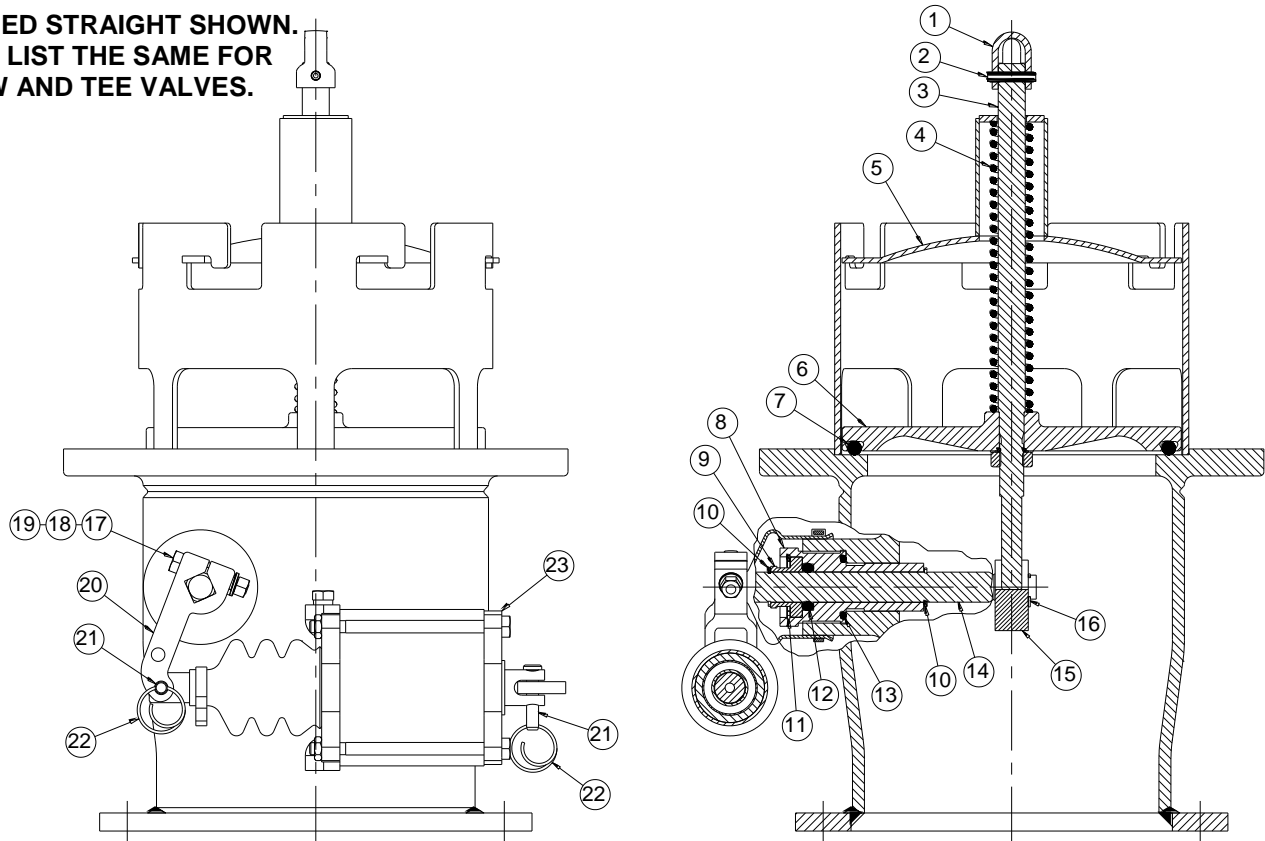


Parts List

6" X 6" Air Operated Aluminum Emergency Valve

FLANGED STRAIGHT SHOWN.
PARTS LIST THE SAME FOR
ELBOW AND TEE VALVES.



NO.	REQ.	DESCRIPTION	MATERIAL	PART NO.
1	1	6" EV Bail	Aluminum E-Coated	A11129EY
2	1	Bail Pin	Stainless Steel	9Q5901
3	1	Stem	Steel Zinc Plated	27300ZC
4	1	6" Spring	316 Stainless Steel	SS11288H
5	1	6" Bonnet	Aluminum E-Coated	A21006EY
6	1	Disc Holder	Aluminum E-Coated	28367ALEY001
7	1	Seat Seal	Nitrile	75463BN
			FKM	75463VT
			Tef-Sil	75463TS
8	1	Threaded Stuffing Box	Anodized / Aluminum	28359AL
9	1	Stuffing Box Retainer	Aluminum	19081AL
10	2	Retaining Ring	Stainless Steel	9Q4970
11	1	Internal Snap Ring	Steel Zinc Plated	9Q4968
12	1	O-Ring (Cam Shaft) U-cup seal (Cam Shaft)	Nitrile	19082BN
			FKM	19082VT
			Teflon w/ SS spring	75483SLTF
13	1	O-Ring (Stuffing Box)	Nitrile	18824BN
14	1	Cam Shaft	316 Stainless Steel	36048SS
15	1	Cam	Coated Steel	19022MS
16	1	E-Clip	Stainless Steel	9Q4933
17	1	1/4-20 Hex Nut	Steel Zinc Plated	9Q5806
18	1	1/4" Lockwasher	Steel Zinc Plated	9Q5845
19	1	1/4-20 UNC x 1.50 Hex Bolt	Steel Zinc Plated	9Q5947
20	1	Air EV Handle	E-Coated Gray Iron	18366EY
21	2	1/4 x 1.50 Clevis Pin	Steel Zinc Plated	9Q4728
22	2	Circle Cotter Pin	302 Stainless	9Q5002
23	1	3" Air Cylinder	Aluminum w/ Nitrile Seals	AC35005ALB

WARNING Use only genuine BETTS INDUSTRIES INC. replacement parts. Substitute parts can impair the proper function of this product.