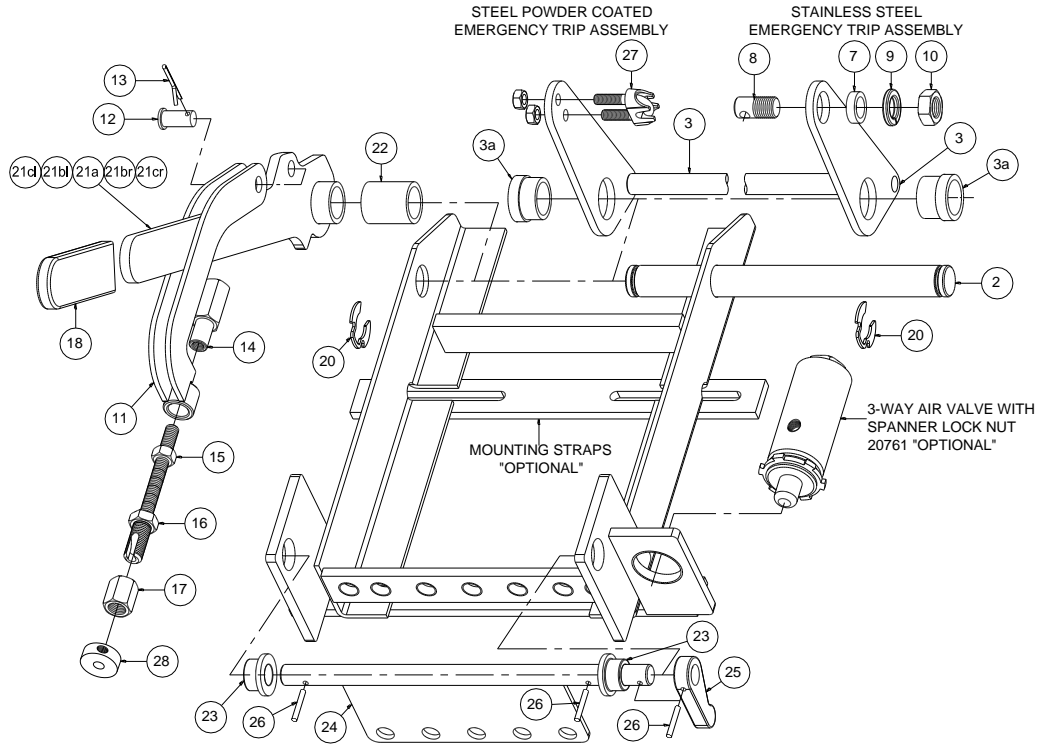


**PARTS LIST**

# Compact Mechanical Operator Delta I - Non-Lubricated



No.	Description	Material		Part No.				
		Steel Model	Stainless Model	1 Compt.	2 Compt.	3 Compt.	4 Compt.	5 Compt.
2	SHAFT	304 SS		27818SL-2		27818SL-5		
3	EMERGENCY TRIP LEVER ASSEMBLY	STEEL PC	304 SS	35659EY-2* / 35686SL-2**		35659EY-5* / 35686SL-5**		
3a	FLANGED BUSHING	NA	NA	9V4255				
7	EMERGENCY CABLE CLAMP	NA	304 SS	19617SL**				
8	EMERGENCY TRIP CABLE CLAMP	NA	304 SS	19622SL**				
9	1/2 in. SPRING LOCK WASHER	STEEL ZC	304 SS	9Q5899* / 9Q5908**				
10	1/2 -20 JAM NUT	STEEL ZC	304 SS	9Q5910* / 9Q5909**				
11	LINK ARM ASSEMBLY	STEEL PC	304 SS	27815EY* / 27815SL**				
12	CLEVIS PIN	STEEL ZC	304 SS	15757ZC* / 19621SL**				
13	3/32 in. x 3/4 in. COTTER PIN	BRASS	304 SS	9Q5865* / 9Q5866**				
14	FUSIBLE BUSHING NUT	BRASS		19724BR				
15	5/16 -24 HEX NUT	STEEL ZC	304 SS	9Q5808A* / 9Q5858**				
16	ADJUSTING BOLT	STEEL	303 SS	20040ZC* / S20040A**				
17	CLAMPING NUT	STEEL ZC	304 SS	10268ZC* / S10268A**				
18	HANDLE GRIP - RED/BLUE	VINYL - RED	VINYL - BLUE	9Z4830* / 9Z4829**				
20	RETAINING RING	STEEL ZC		9Q4974* / 9Q4974**				
21cl	LEVER ARM ASSEMBLY - LEFT #2	STEEL PC	304 SS	35650EYL2* / 35650SL2**				
21bl	LEVER ARM ASSEMBLY - LEFT #1	STEEL PC	304 SS	NA	NA	NA	NA	35650EYL1* / 35650SL1**
21a	LEVER ARM ASSEMBLY -STRAIGHT	STEEL PC	304 SS	35650EY* / 35650SL**		NA	35650EY* / 35650SL**	
21br	LEVER ARM ASSEMBLY - RIGHT #1	STEEL PC	304 SS	NA	NA	NA	NA	35650EYR1* / 35650SLR1**
21cr	LEVER ARM ASSEMBLY - RIGHT #2	STEEL PC	304 SS	35650EYR2* / 35650SLR2**				
22	REPLACEMENT BUSHING	STEEL PC	304 SS	19624EY* / 19624SL**		NA	19624EY* / 19624SL**	
23	BUSHING	BRONZE		9Z4869				
24	SHAFT & GATE ASSEMBLY	STEEL ZC	304 SS	27811ZC* / 27811SL**		27812ZC* / 27812SL**		
25	CAM	STEEL ZC		10938ZC				
26	ROLL PIN 1/8 x 7/8	STEEL	420 SS	9Q5894* / 9Q5920**				
27	CABLE CLAMP	STEEL ZC	NA	9Q1660*				
28	CABLE BUSHING & SET SCREW	STEEL ZC		10942				

\*"EY" FOR STEEL POWDER COATED GLOSS BLACK, "SL" FOR STAINLESS, "ZC" STEEL ZINC COATED.

\* PARTS FOR STEEL POWDER COATED GLOSS BLACK MODELS ONLY

\*\* PARTS FOR STAINLESS MODELS ONLY

**WARNING** Use only genuine BETTS INDUSTRIES INC. replacement parts. Use of substitute parts can impair the proper function of this product.

Note: Adjusting Bolt assembly 20040A001 and S20040A001 includes items 14,15,16,17.