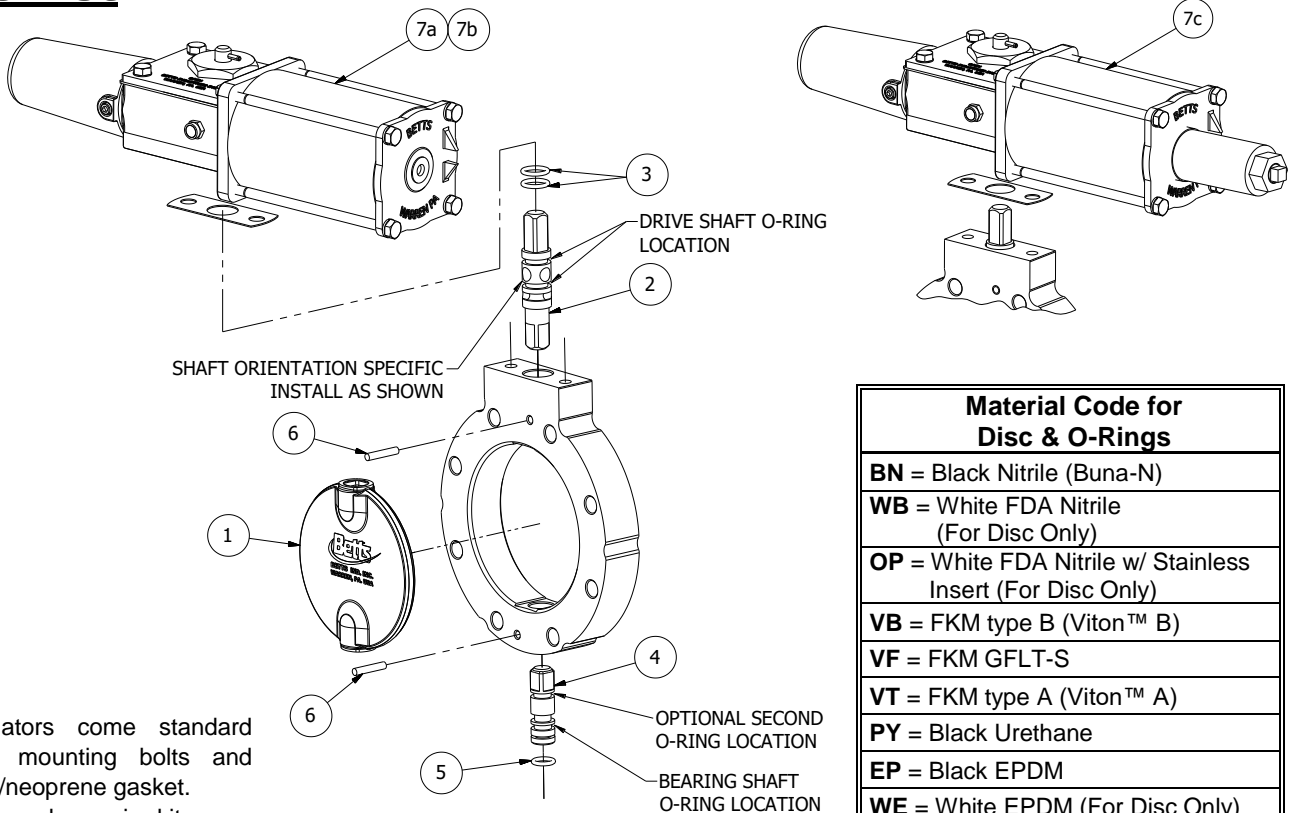


Wet-R-Dri Butterfly Valves

TTMA Pneumatic and Hydraulic Actuator Models

Page 3 of 6

Parts List



Notes:

- Actuators come standard with mounting bolts and cork/neoprene gasket.
- For seal repair kits see catalog Section 20 Page 5B.

Material Code for Disc & O-Rings	
BN	Black Nitrile (Buna-N)
WB	White FDA Nitrile (For Disc Only)
OP	White FDA Nitrile w/ Stainless Insert (For Disc Only)
VB	FKM type B (Viton™ B)
VF	FKM GFLT-S
VT	FKM type A (Viton™ A)
PY	Black Urethane
EP	Black EPDM
WE	White EPDM (For Disc Only)
FS	Fluorosilicone (For O-rings Only)

No.	Description	Material	2"	3"	4"	5"	6"	8"	
1	Disc	See Mat'l Table	WD101-2_ _ *	WD101-3_ _ *	WD101-4_ _ *	WD101-5_ _ *	WD101-6_ _ *	WD101-8_ _ *	
2	Drive Shaft	Steel Zc Plate	27053MS001	27050MS001	27050MS001	27051MS001	75465MS001	75465MS001	
		303 Stainless	27053SL001	27050SL001	27050SL001	27051SL001	75465SL	75465SL	
3	O-ring (Drive Shaft)	See Mat'l Table	17889_ _ *	17889_ _ *	17889_ _ *	17889_ _ *	18831_ _ *	18831_ _ *	
4	Bearing Shaft	Steel Zc Plate	16006MS	15913MS	15913MS	15913MS	16230MS001	16230MS002	
		303 Stainless	16006SL	15913SL	15913SL	15913SL	16230SL	16230SL002	
	Bearing Shaft with Grease Fittings	Steel Zc Plate	16006MS002	15913MS002	15913MS002	15913MS002	16230MS002	16230MS002	
		303 Stainless	16006SL002	15913SL002	15913SL002	15913SL002	16230SL002	16230SL002	
5	O-ring (Bearing Shaft)	See Mat'l Table	17781_ _ *	18141_ _ *	18141_ _ *	18141_ _ *	18831_ _ *	18831_ _ *	
6	Driv-Lok-Pin	Steel Zc Plate	9Q4893	9Q4893	9Q4893	9Q4925	9Q4926	9Q4938	
7a	Air-Open/Air-Close	Alum. E-Coat	46504AL						
7b	Air-Open/Spring Close	Alum. E-Coat	46495AL				46657AL		
7c	Hydr.-Op./Spring Cls.	Alum. E-Coat	47368AL				47369AL		

* Disc and O-ring material is specified by the letter code as shown table. Not all materials are available for every size.



Designed, engineered and manufactured in the USA.

Wet-R-Dri Butterfly Valves

TTMA Pneumatic and Hydraulic Actuator Models


Page 4 of 6

Parts List for Air/Spring Pneumatic Actuator 46495AL (used for valves 5" and smaller)

No.	Description	Qty	Material	Part Number
1	CAP SCREW - HEX HEAD	4	STEEL ZINC PLATED	9Q5938
2	1/4" LOCKWASHER	4	STEEL ZINC PLATED	9Q5845
3	END PLATE	1	ALUMINUM E-COATED	19243ALEY
4	O-RING - CYLINDER TUBE	2	NITRILE (BUNA-N)	17666BN
5	CYLINDER	1	FIBERGLASS	19240FG
6	JAM NUT - HEX HEAD	2	STEEL ZINC PLATED	9Q5910
7	U-CUP SEAL - PISTON	1	NITRILE (BUNA-N)	17669BN
8	PISTON - AIR/SPRING MODEL	1	ALUMINUM	19437AL
9	SPRING	1	STAINLESS	19413SS
10	CAP SCREW - END CAP	2	STEEL ZINC PLATED	9Q5995
11	END CAP	1	POLYPROPYLENE	28682PP
12	ADJUSTMENT WASHER	1	ALUMINUM	19268AL
13	RETAINING RING	2	STEEL ZINC PLATED	9Q4932
14	FLANGED BEARING	2	OIL IMPREGNATED BRONZE	9Z4870
15	O-RING - END CAP	1	NITRILE (BUNA-N)	19350BN
16	BREATHER FILTER VENT	1	BRASS	9Z4895
17	HOUSING	1	ALUMINUM E-COATED	35390ALEY
18	ACTUATOR MOUNTING GASKET (VALVE SIZES 2" - 4" TTMA)	1	CORK NEOPRENE	18308CN
19	O-RING - SHAFT SEAL	1	NITRILE (BUNA-N)	18066BN
20	SHAFT	1	STAINLESS	19239SL
21	O-RING - SHAFT SEAL	1	NITRILE (BUNA-N)	17781BN
22	1/8" PIPE PLUG	1	STAINLESS	9V4921
23	CLEVIS	1	STAINLESS	C19237SL
24	CLEVIS PIN	1	STEEL ZINC PLATED	9Q4729
25	CAP SCREW - MOUNTING	2	STEEL	9Q5848
26	GASKET - COVER PLATE	1	CORK NEOPRENE	19269CN
27	COVER PLATE	1	ALUMINUM E-COATED	19490ALEY
28	CAP SCREW - COVER PLATE	4	STEEL	9Q5849
29	INDICATOR PIN	1	STAINLESS	19528SL
30	SPIROL PIN	1	STAINLESS	9Q8601
31	O-RING - PLUG SEAL	1	NITRILE (BUNA-N)	19357BN
32	PLUG 1/8" NPT	1	ALUMINUM	19489AL
33	O-RING - INDICATOR SEAL	1	NITRILE (BUNA-N)	19505BN
34	1/4" STAR WASHER	4	STEEL ZINC PLATED	9Q5923

Note: For alternate actuator parts list (Air/Air, Air/Double-Spring and Hydraulic/Spring) see catalog page Section 20 Page 4H.



Designed, engineered and manufactured in the USA. 

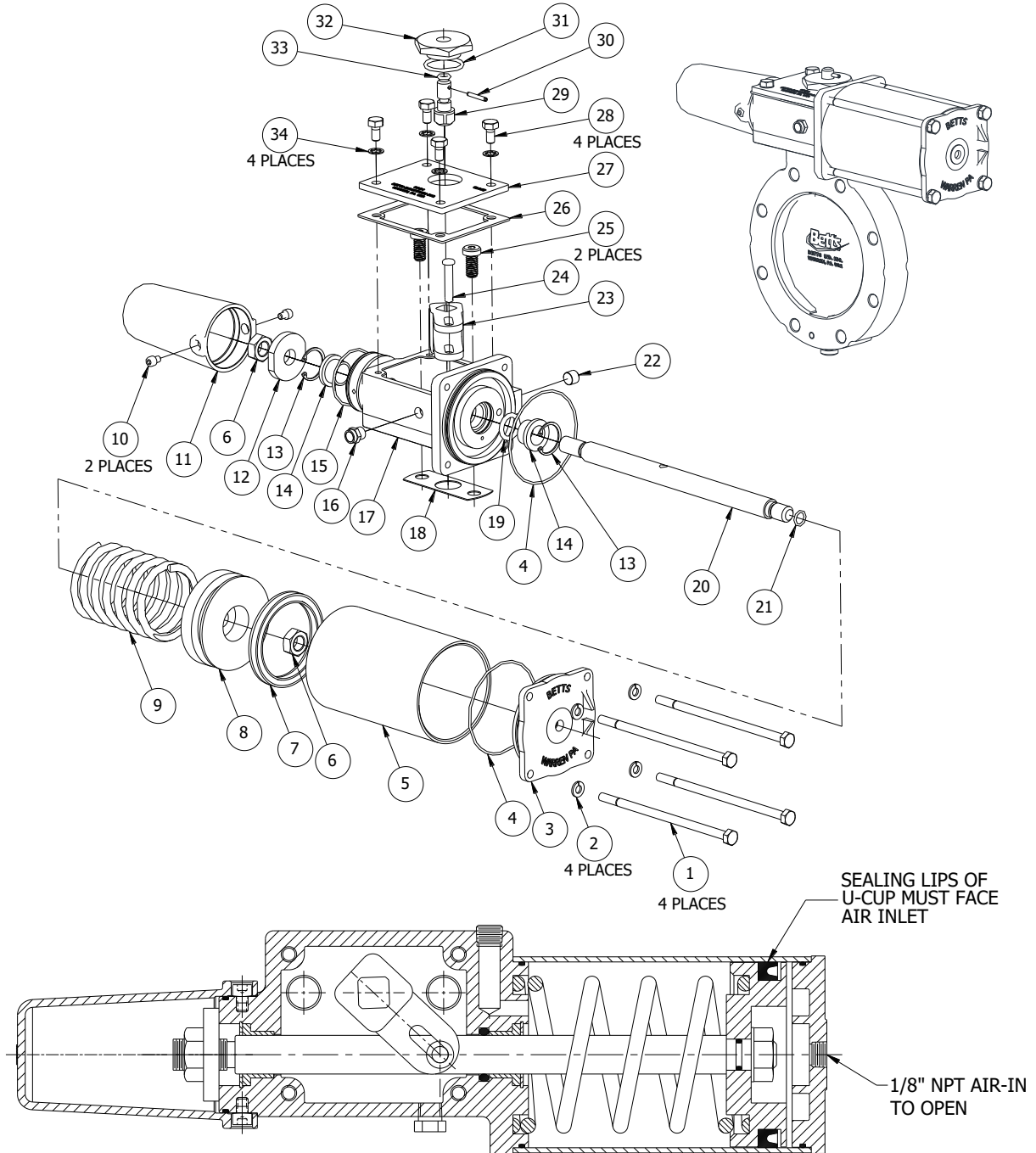
Wet-R-Dri Butterfly Valves


TTMA Pneumatic and Hydraulic Actuator Models

Page 5 of 6

Parts List for Air/Spring Pneumatic Actuator 46495AL

Note: For alternate actuator parts list (Air/Air, Air/Double-Spring and Hydraulic/Spring) see catalog page Section 20 Page 4H.



Designed, engineered and manufactured in the USA. 

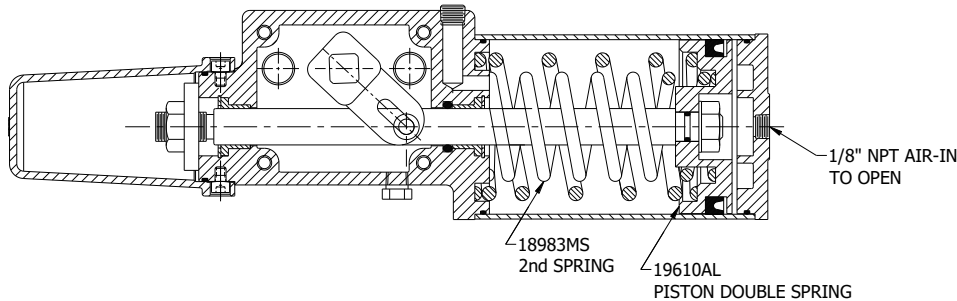
Wet-R-Dri Butterfly Valves

TTMA Pneumatic and Hydraulic Actuator Models

Page 6 of 6

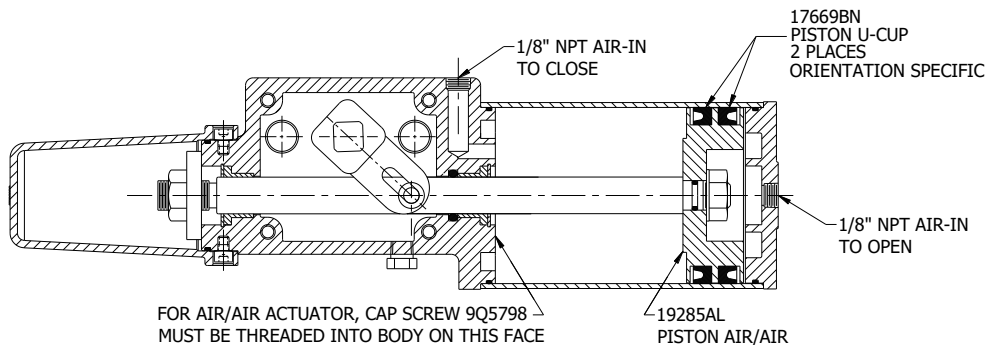
Parts List Pneumatic Actuator 46657AL Air/Double Spring (used for valves 6" and larger)

Same parts as shown on Section 20 Page 4F and 4E except for the following:



Parts List Pneumatic Actuator 46504AL Air/Air

Same parts as shown on Section 20 Page 4F and 4E except for the following:

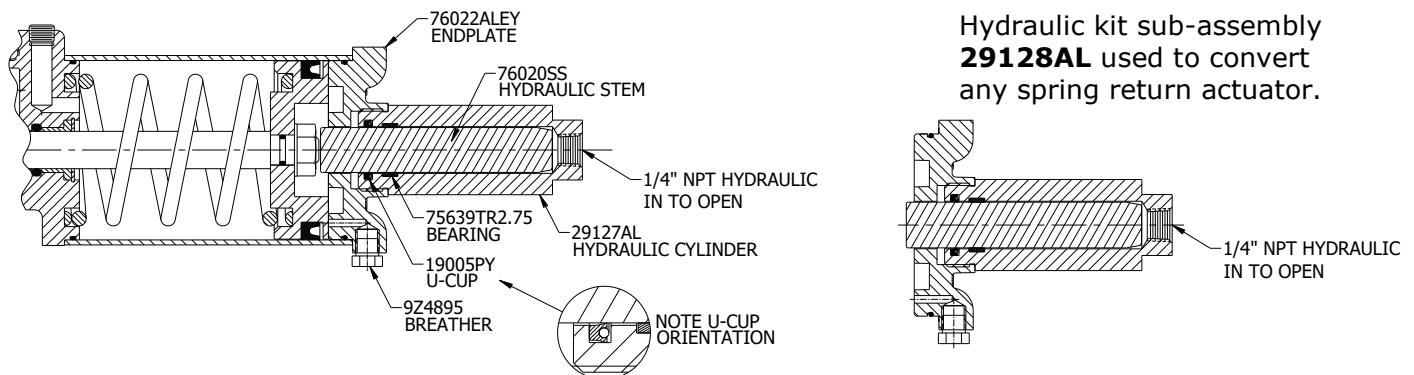


Parts List Hydraulic Actuator

47368AL - Hydraulic/Single Spring – Used for valves 5" and below.

47369AL - Hydraulic/Double Spring - Used for valves 6" and above.

Same parts as shown on Section 20 Page 4F, 4E and 4H except for the following:



Designed, engineered and manufactured in the USA. 