

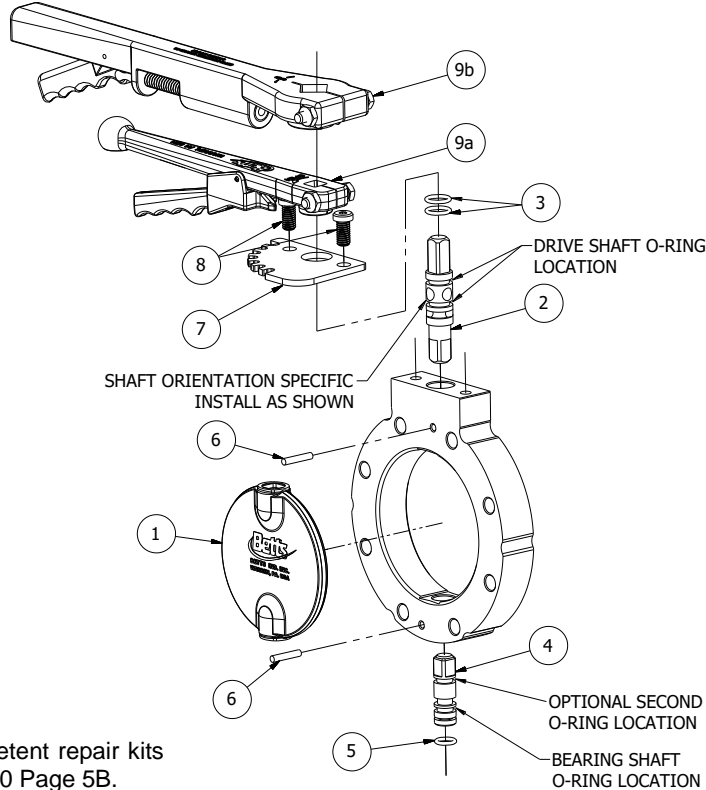
Wet-R-Dri Butterfly Valves

TTMA Metering/Locking Models

Page 2 of 2

Parts List

P/N Example Shown: WD406ALVB



Note: For seal and detent repair kits see catalog Section 20 Page 5B.

Material Code for Disc & O-Rings	
BN	Black Nitrile (Buna-N)
WB	White FDA Nitrile (For Disc Only)
OP	White FDA Nitrile w/ Stainless Insert (For Disc Only)
VB	FKM type B (Viton™ B)
VF	FKM GFLT-S
VT	FKM type A (Viton™ A)
PY	Black Urethane
EP	Black EPDM
WE	White EPDM (For Disc Only)
FS	Fluorosilicone (For O-rings Only)

No.	Description	Material	2"	3"	4"	5"	6"	8"
1	Disc	See Mat'l Table	WD101-2_ _ *	WD101-3_ _ *	WD101-4_ _ *	WD101-5_ _ *	WD101-6_ _ *	WD101-8_ _ *
2	Drive Shaft	Steel Zinc Plated	27053MS001	27050MS001	27050MS001	27051MS001	16229MS001	16229MS002
		303 Stainless	27053SL001	27050SL001	27050SL001	27051SL001	16229SL	16229SL002
2	Drive Shaft with Grease Fittings	Steel Zinc Plated	27053MS002	27050MS002	27050MS002	27051MS002	16229MS002	16229MS002
		303 Stainless	27053SL002	27050SL002	27050SL002	27051SL002	16229SL002	16229SL002
3	O-ring (Drive Shaft)	See Mat'l Table	17889_ _ *	17889_ _ *	17889_ _ *	17889_ _ *	18831_ _ *	18831_ _ *
4	Bearing Shaft	Steel Zinc Plated	16006MS	15913MS	15913MS	15913MS	16230MS001	16230MS002
		303 Stainless	16006SL	15913SL	15913SL	15913SL	16230SL	16230SL002
	Bearing Shaft with Grease Fittings	Steel Zinc Plated	16006MS002	15913MS002	15913MS002	15913MS002	16230MS002	16230MS002
		303 Stainless	-	15913SL002	15913SL002	15913SL002	16230SL002	16230SL002
5	O-ring (Bearing Shaft)	See Mat'l Table	17781_ _ *	18141_ _ *	18141_ _ *	18141_ _ *	18831_ _ *	18831_ _ *
6	Driv-Lok-Pin	Steel Zinc Plated	9Q4893	9Q4893	9Q4893	9Q4925	9Q4926	9Q4938
7	Index Plate (8 Pos.)	Steel E-Coated	75998MSEY	75998MSEY	75998MSEY	75998MSEY	76014MSEY	76014MSEY
8	Cap Screw	Steel Zinc Plated	9Q5987	9Q5987	9Q5987	9Q5987	9Q5987	9Q5987
9a	2"- 5" Handle Asm.	Alum. E-Coated	28981ALEY	28981ALEY	28981ALEY	28981ALEY	N/A	N/A
9b	6"- 8" Handle Asm.	Alum. E-Coated	N/A	N/A	N/A	N/A	26287AL	26287AL

* Disc and O-ring material is specified by the letter code as shown table. Not all materials are available for every size.



Designed, engineered and manufactured in the USA.