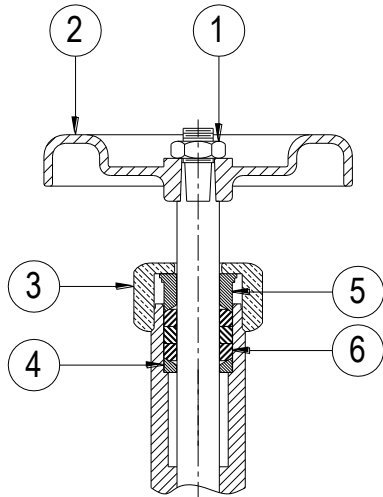


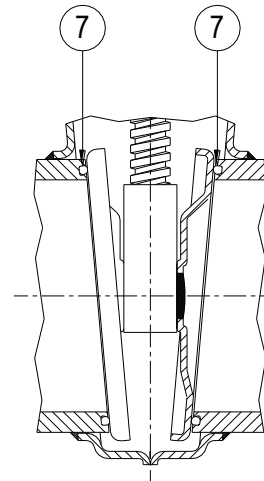
Parts List

3" and 4" Gate Valves

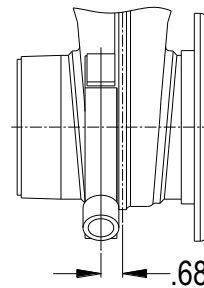
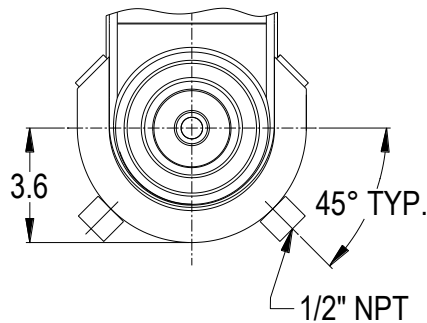
Page 1 of 1



**Metal-to-Metal or
Replaceable Seat**



Replaceable Seat Only



Heat Tube Details – 4" Only

NO.	REQ.	DESCRIPTION	MATERIAL	PART NO.
1	1	7/16-14 Hex Nut w/ Nylon Insert	Steel Zinc Plated	9Q8579
		7/16-14 Hex Nut w/ Nylon Insert	Stainless Steel	9Q8580
2	1	3" Hand Wheel	Aluminum	25186AL
		4" Hand Wheel	Aluminum	25245AL
3	1	Stuffing Box Nut	Anodized Aluminum	15026AL
			Stainless Steel	15026SL
4	1	Bottom Gland	Stainless Steel	15076SS
5	1	Top Gland	Stainless Steel	15220SS
6	1	Packing Set (3 Rings per Set)	Teflon Suspensoid	15227NT
7*	2	Seat O-Ring 3" valve	Tef-Sil	18106TS
		Seat O-Ring 4" valve only		19430TS

* Replaceable Seat Valves only.



Designed, engineered and manufactured in the USA. 