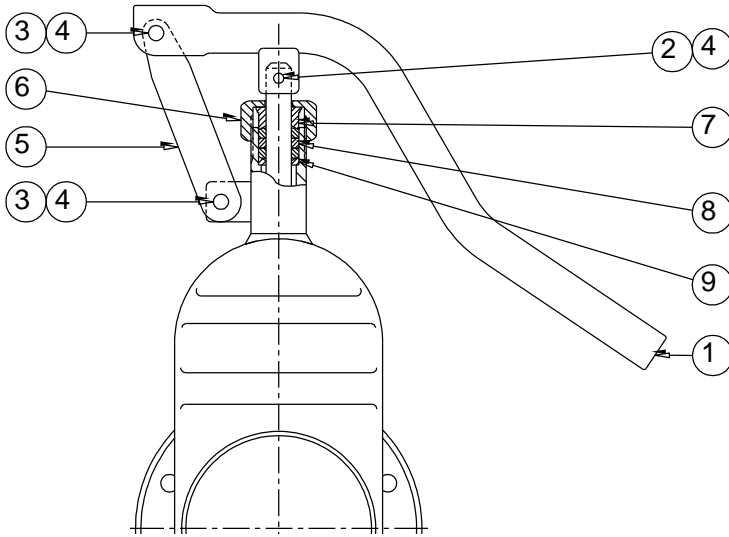


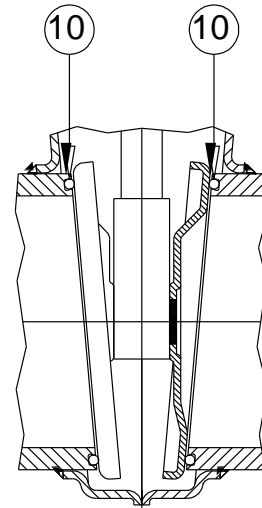
# Parts List

3", 4", and 6" Sliding Valves

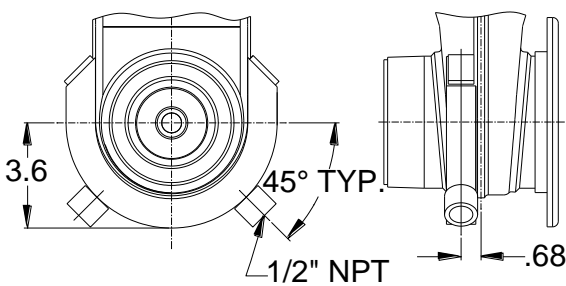
Page 2 of 2



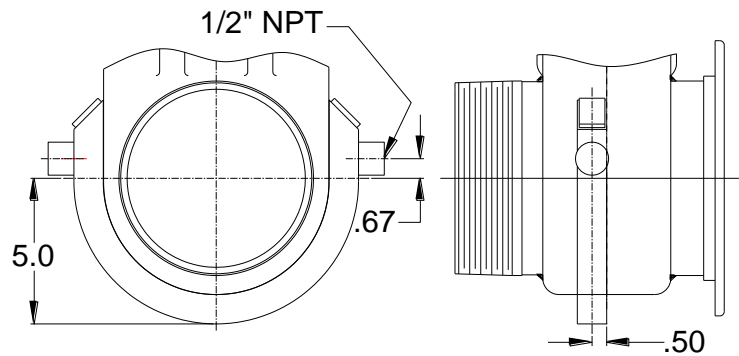
**Metal-to-Metal or Replaceable Seat**



**Replaceable Seat Only**



**4" Heat Tube Details**



**6" Heat Tube Details**

NO.	REQ.	DESCRIPTION	MATERIAL	3 & 4" PART NO.	6" PART NO.
1	1	Handle	Steel "E" Coated	35131EY	26764EY
2	1	Clevis Pin 1/4 x 1 1/4	Steel Zinc Plate	9Q4728	9Q4728
3	1	Clevis Pin – Link	Steel Zinc Plate	15757ZC	15757ZC
4	3	Circle Cotter Pin	Stainless Steel	9Q5002	9Q5002
5	1	Link	Steel "E" Coated	19899EY	19900EY
6	1	Stuffing Box Nut	Anodized Aluminum	15026AL	15026AL
			Stainless Steel	15026SL	15026SL
7	1	Top Gland	Stainless Steel	15220SS	15220SS
8	1	Packing Set (3 Rings per Set)	Woven Syntex w/ PTFE	15227NT	15227NT
9	1	Bottom Gland	Stainless Steel	15076SS	15076SS
10 *	2	Seat O-Ring	Tef-Sil	3"-18106TS / 4"-19430TS	19428TS

\* Replaceable Seat Valves only.



Designed, engineered and manufactured in the USA.