



## Guardian Pressure/Vacuum Valve, ANSI Flanged Connection



The Betts' Guardian™ combination valve is a spring loaded reclosing pressure and vacuum relief device for use on a cargo tank's primary pressure relief and vacuum relief systems. The combination relief valve is designed, tested and marked in accordance with 49CFR §178.345-10, 49CFR §178.347-4 and 49CFR §178.348-4.

- Compact, optimized flow design.
- 316 Stainless Steel construction.
- Teflon seals and wear components.
- Safety Stop Screw to help prevent accidental unthreading of housing.
- Seal tabs on shroud for security measures.
- Simple In-Place Maintenance.
- Available ECTFE (Halar®) coated.
- Multiple sizes and mounting options.
- Multiple seal options.
- Vibration damping vacuum vent.
- 4" and 3" ANSI flanged connections

Part Number	Size and Connection	Weight lbs. [kg]
RVC3A*-**	3" ANSI FLG.	21.0 [9.5]
RVC4A*-**	4" ANSI FLG.	22.4 [10.2]

- An Example of a part number would be RVP3AT-25. This would have PTFE seals and be used on a 25 MAWP tank.

- Part numbers with ECTFE (Halar®) coating as follows: RVPL3A\*-\*\*."L" indicates ECTFE coated.

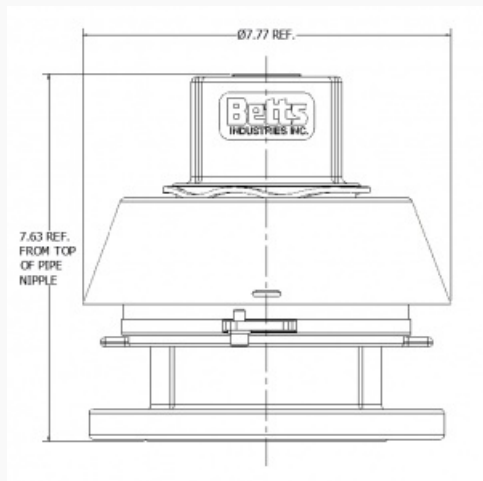
- Values shown are test values. Actual results may vary due to service conditions.

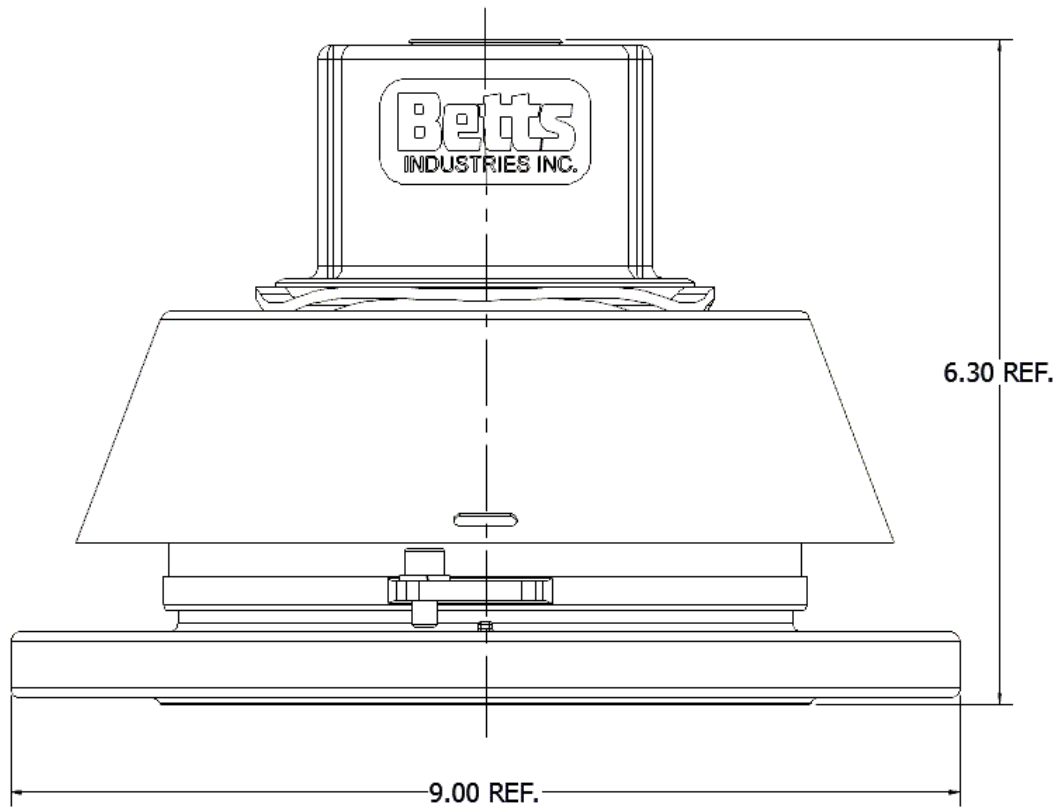
* Code	Material	Temp. Range
T	PTFE	-40°F - 400°F [-40°C - 204°C]
F	Fluorosilicone	-50°F - 350°F [-45°C - 176°C]
K	Kalrez	-20°F - 400°F [-28°C - 204°C]
VB	FKM BLT	-15°F - 400°F [-26°C - 204°C]

\* Designates Seal Material

**MAWP	Size	Set Pressure (PSIG)	Pressure Flow	Water Flow Rates (GPM)	Set Vacuum (PSIG)	Vacuum Flow
25	3"	30	360,596 SCFH @ 40 PSIG	980 @ 40 psi	1.5	12,500 SCFH @ 3.0 PSIG
25	3"	30	409,559 SCFH @ 45 PSIG	1050 @ 45 psi	1.5	12,500 SCFH @ 3.0 PSIG
30	3"	36	409,559 SCFH @ 45 PSIG	1050 @ 45 psi	1.5	12,500 SCFH @ 3.0 PSIG
35	3"	42	457,740 SCFH @ 52.5 PSIG	1075 @ 52.5 psi	1.5	12,500 SCFH @ 3.0 PSIG
40	3"	48	514,539 SCFH @ 60 PSIG	1100 @ 60 psi	1.5	12,500 SCFH @ 3.0 PSIG
25	4"	30	365,828 SCFH @ 40 PSIG	1000 @ 40 psi	1.5	12,500 SCFH @ 3.0 PSIG
25	4"	30	421,629 SCFH @ 45 PSIG	1100 @ 45 psi	1.5	12,500 SCFH @ 3.0 PSIG
30	4"	36	421,629 SCFH @ 45 PSIG	1100 @ 45 psi	1.5	12,500 SCFH @ 3.0 PSIG
35	4"	42	482,967 SCFH @ 52.5 PSIG	1150 @ 52.5 psi	1.5	12,500 SCFH @ 3.0 PSIG

**\*\* Designates Tank MAWP**





**Seal Kit part number: SK-RVCT\***

**\*Mounting gasket not included in seal kit**

**Spanner wrench part number: 75825EY**

**Dis-assembly wrench number : 75819ZC**